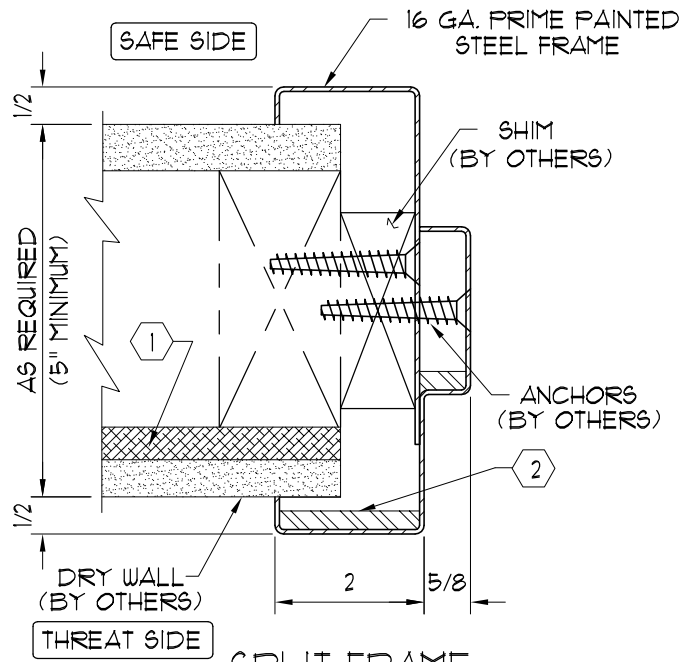
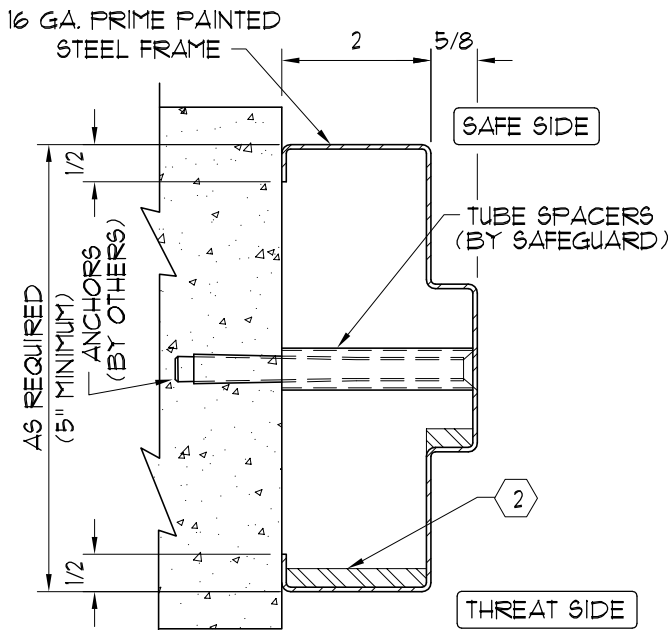


WRAP FRAME

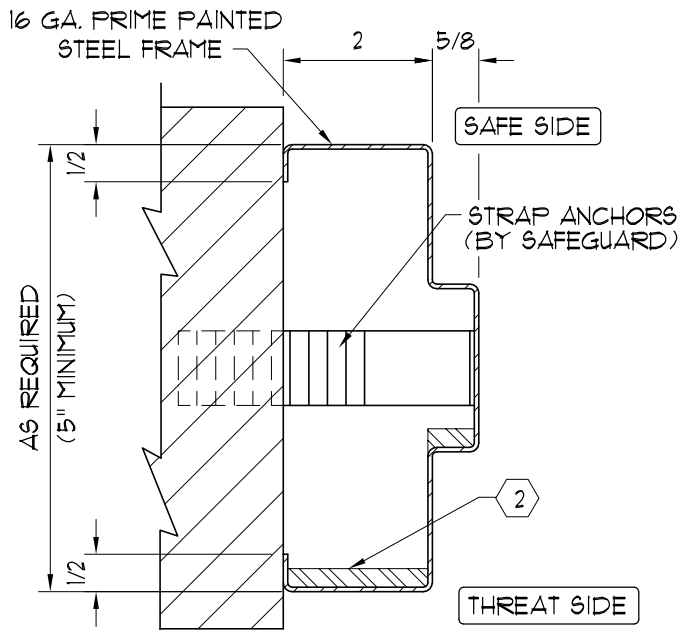


SPLIT FRAME
(@ EXTRA CHARGE)

(RECOMMENDED FOR USE IN EXISTING WALL)



BUTT FRAME - EXISTING OPENING
MASONRY OR CONCRETE



BUTT FRAME
MASONRY BUILD UP

NOTE:

① UL LISTED ARMORTEX® BULLET RESISTANT COMPOSITES

② ARMORTEX® HI-HARD LEVEL 4 BALLISTIC STEEL

REVISIONS

No.	DESCRIPTION	DATE

ARMORTEX® BULLET / BLAST RESISTANT PRODUCTS
 5926 CORRIDOR PKWY SCHERTZ, TX 78154
 TEL: 210-661-8306 800-880-8306 FAX: 210-661-8308

TITLE:
ARMORTEX® BULLET RESISTANT DOOR FRAME TYPES
 UNLESS OTHERWISE SPECIFIED ALL DIMENSIONS ARE IN INCHES

PROJECT NAME:
 SCALE: NONE PROJECT No.:

BALLISTIC LEVEL 4

DRN.BY: A. Perez	DATE: 02-16-07
CHKD.BY:	DATE:
DRAWING No. D1012014A	SHEET 1 OF 1