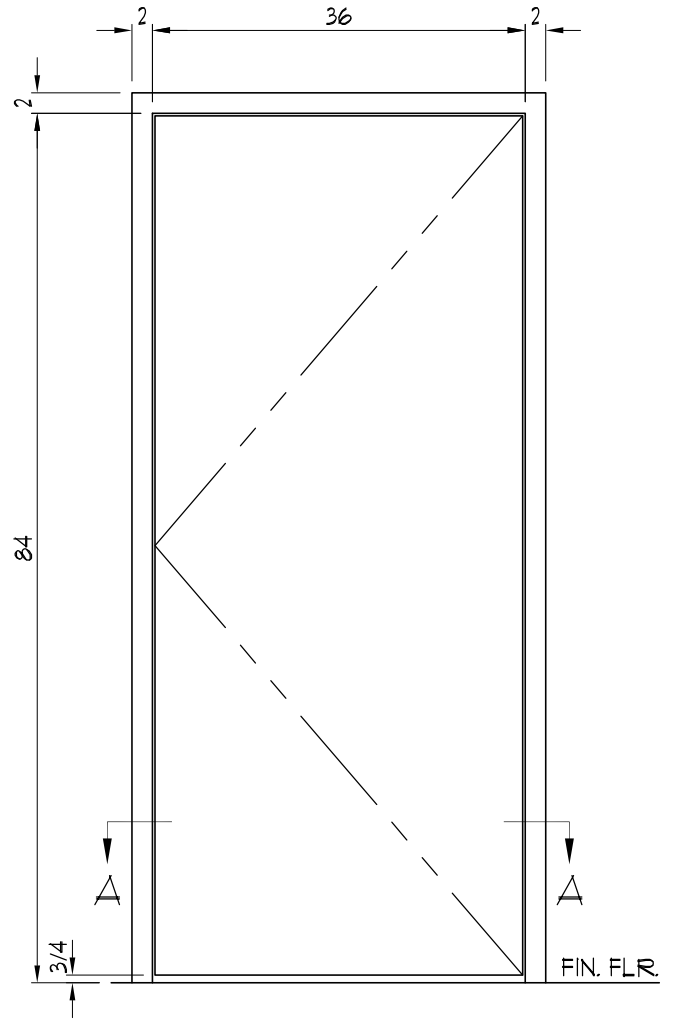


NOTES:

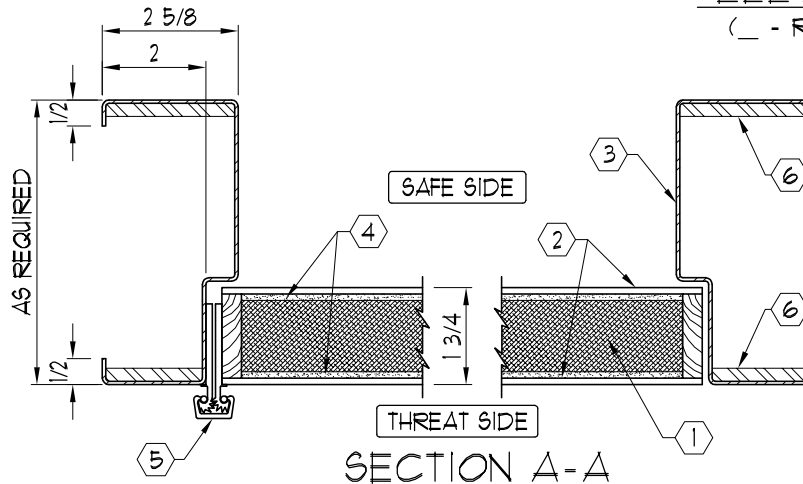
- ① UL LISTED LEVEL 4 ARMORTEX® BULLET RESISTANT COMPOSITES - OF. 400
- ② UNFINISHED VENEER IS RED OAK OR BIRCH (ANY CUSTOM VENEER IS AVAILABLE)
- ③ 16 GA. PRIME PAINTED STEEL FRAME
- ④ CORE - PARTICLE BOARD
- ⑤ CONTINUOUS GEAR HINGE
- ⑥ ARMORTEX® LEVEL 4 BALLISTIC STEEL
- ⑦ HARDWARE AS SPECIFIED (BY OTHERS) (UNLESS NOTED)

NOTE:

ALL SURFACE MOUNTED HARDWARE OR DEVICES MUST BE THRU BOLTED



NL
ELEVATION
(_ - REQUIRED)



SECTION A-A

C:\ARMORTEX MASTERS - 2007\DOORS\D1012009.DWG.DWG 03/21/07 @ 10:22 User: aperez

REVISIONS		
No.	DESCRIPTION	DATE

ARMORTEX® BULLET / BLAST RESISTANT PRODUCTS
 5926 CORRIDOR PKWY SCHERTZ, TX 78154
 TEL: 210-661-8306 800-880-8306 FAX: 210-661-8308

TITLE: ARMORTEX® BULLET RESISTANT NL 3684 WOOD DOOR
 UNLESS OTHERWISE SPECIFIED ALL DIMENSIONS ARE IN INCHES

PROJECT NAME: _____
 SCALE: NONE PROJECT No. _____

BALLISTIC LEVEL	
DRN.BY: A. Perez	DATE: 02-16-07
CHKD.BY:	DATE:
DRAWING No. D1012009	SHEET 1 OF 1