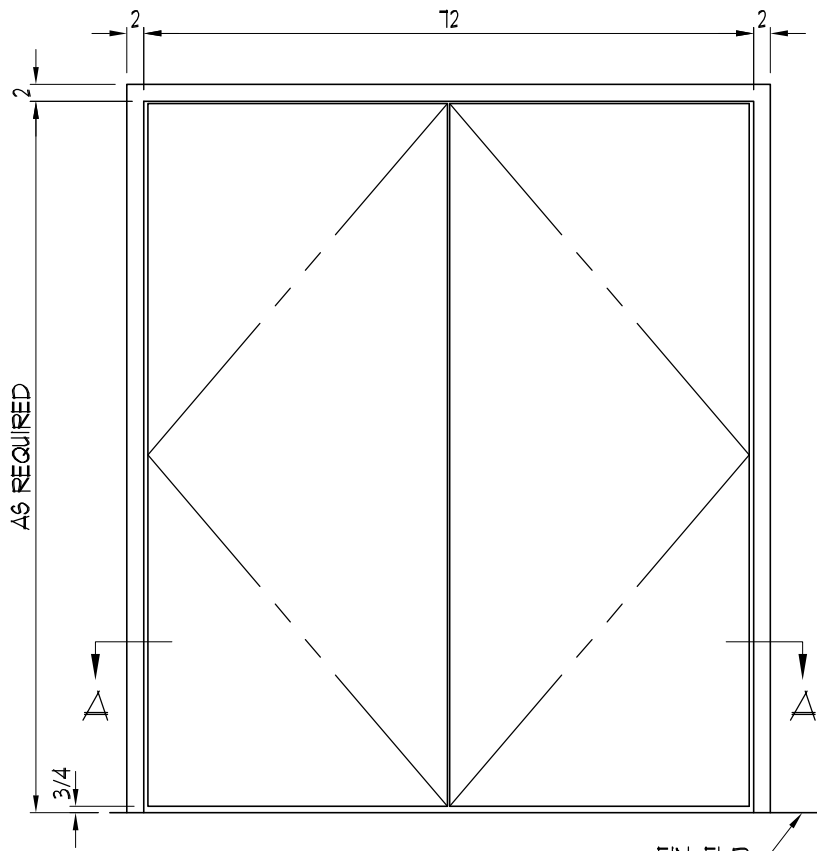


NOTES:

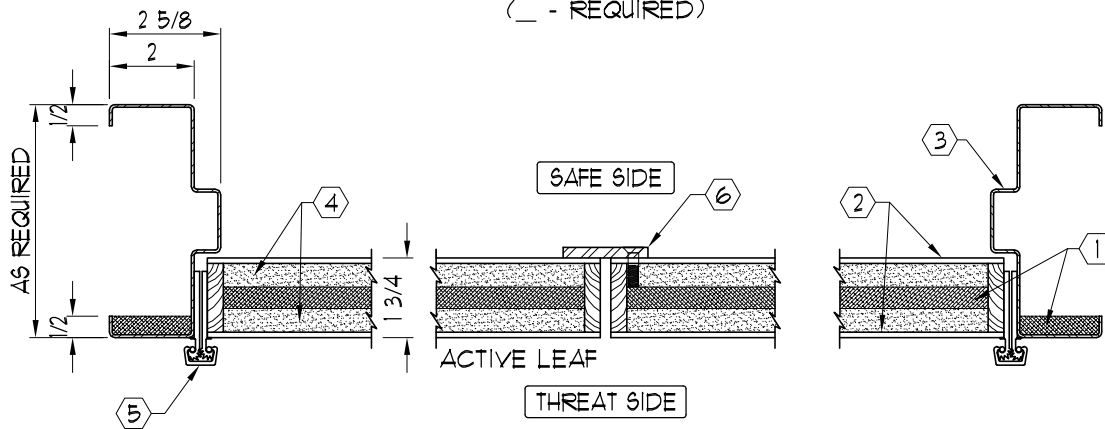
- ① UL LISTED ARMORTEX® BULLET RESISTANT COMPOSITES
- ② UNFINISHED VENEER IS RED OAK OR BIRCH (ANY CUSTOM VENEER IS AVAILABLE)
- ③ 16 GA. PRIMED PAINTED STEEL FRAME
- ④ CORE - PARTICLE BOARD

- ⑤ CONTINUOUS GEAR HINGE
- ⑥ ASTRAGAL (OPTIONAL)
- ⑦ HARDWARE AS SPECIFIED (BY OTHERS) (UNLESS NOTED)

NOTE:
ALL SURFACE MOUNTED HARDWARE OR DEVICES MUST BE THRU BOLTED



ELEVATION
(_ - REQUIRED)



SECTION A-A

C:\ARMORTEX MASTERS - 2007\DOORS\1012007.DWG.DWG 03/21/07 @ 10:13 User: operez

REVISIONS		
No.	DESCRIPTION	DATE

ARMORTEX® BULLET / BLAST RESISTANT PRODUCTS
 5926 CORRIDOR PKWY SCHERTZ, TX 78154
 TEL: 210-661-8306 800-880-8306 FAX: 210-661-8308

TITLE: ARMORTEX® BULLET RESISTANT DOUBLE WOOD DOOR
 UNLESS OTHERWISE SPECIFIED ALL DIMENSIONS ARE IN INCHES

PROJECT NAME: _____
 SCALE: NONE PROJECT No. _____

BALLISTIC LEVEL	
DRN.BY: A. Perez	DATE: 02-16-07
CHKD.BY:	DATE:
DRAWING No. D1012007	SHEET 1 OF 1