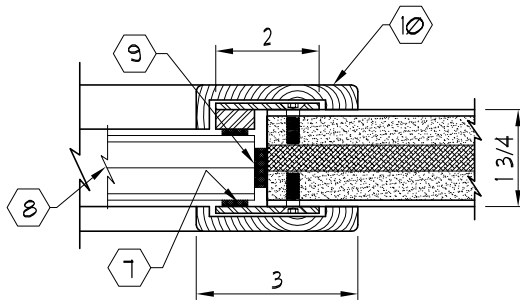


NOTES:

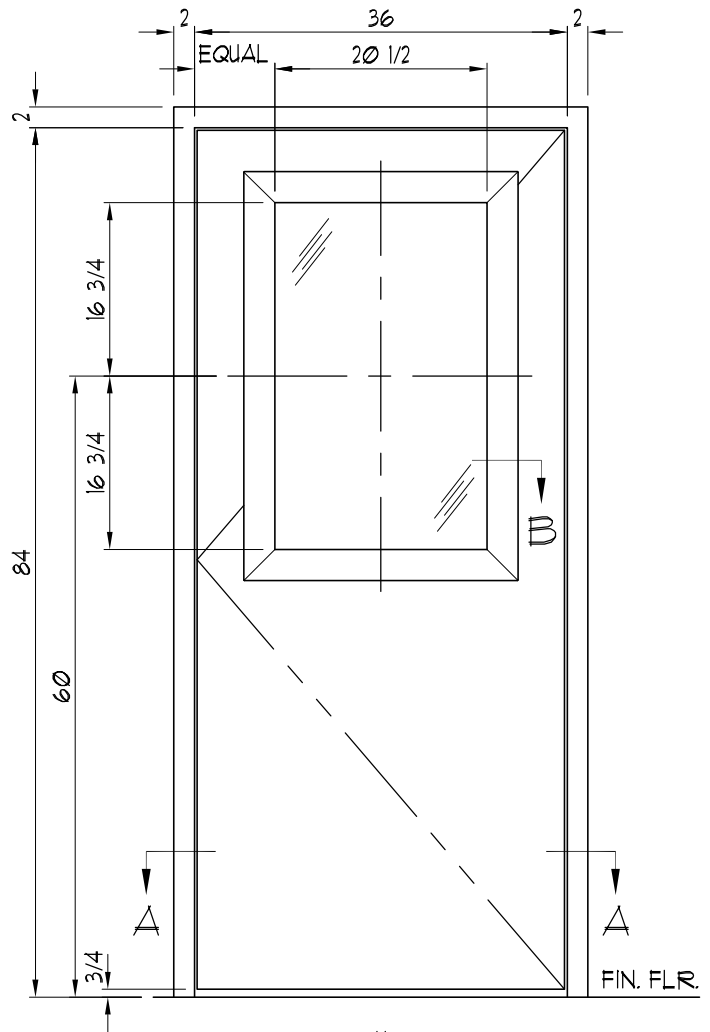
- ① UL LISTED ARMORTEX® BULLET RESISTANT COMPOSITES
- ② UNFINISHED VENEER IS RED OAK OR BIRCH (ANY CUSTOM VENEER IS AVAILABLE)
- ③ 16 GA. PRIMED PAINTED STEEL FRAME
- ④ CORE - PARTICLE BOARD
- ⑤ CONTINUOUS GEAR HINGE
- ⑥ HARDWARE AS SPECIFIED (BY OTHERS) (UNLESS NOTED)
- ⑦ TREMCO-440 GLAZING TAPE
- ⑧ UL LISTED BULLET RESISTANT GLAZING
- ⑨ NEOPRENE SETTING BLOCK
- ⑩ WOOD TRIM

NOTE:

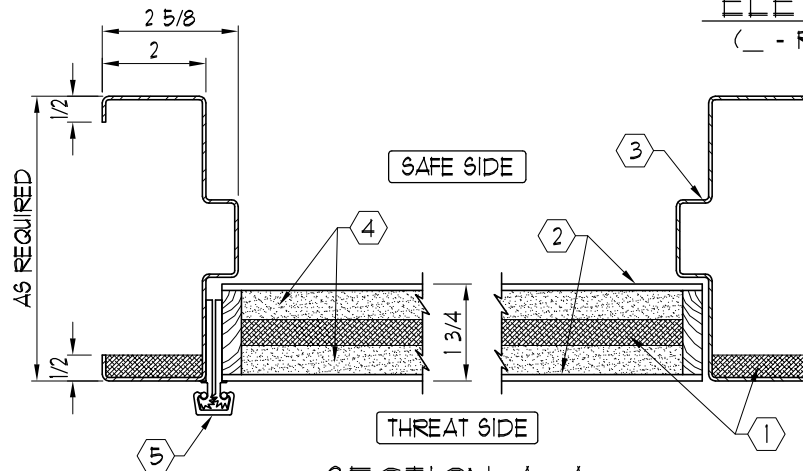
ALL SURFACE MOUNTED HARDWARE OR DEVICES MUST BE THRU BOLTED



SECTION B



HL
ELEVATION
(_ - REQUIRED)



SECTION A-A

C:\ARMORTEX MASTERS - 2007\DOORS\1012004.DWG.DWG 03/21/07 @ 10:05 User: aperez

| REVISIONS | | |
|-----------|-------------|------|
| No. | DESCRIPTION | DATE |
| | | |
| | | |
| | | |

ARMORTEX® BULLET / BLAST RESISTANT PRODUCTS
 5926 CORRIDOR PKWY SCHERTZ, TX 78154
 TEL: 210-661-8306 800-880-8306 FAX: 210-661-8308

TITLE: ARMORTEX® BULLET RESISTANT HL 3684 WOOD DOOR
 UNLESS OTHERWISE SPECIFIED ALL DIMENSIONS ARE IN INCHES

PROJECT NAME: _____
 SCALE: NONE PROJECT No. _____

| BALLISTIC LEVEL | |
|-------------------------|-------------------|
| DRN.BY: A. Perez | DATE: 02-16-07 |
| CHKD.BY: | DATE: |
| DRAWING No. D1012004 | SHEET 1 OF 1 |