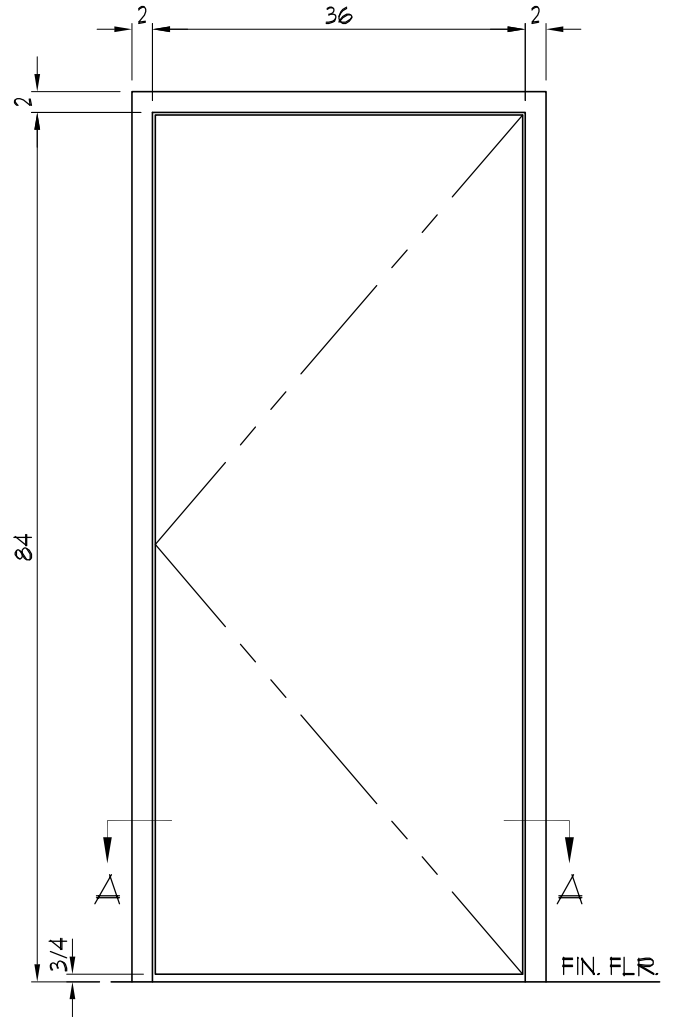


NOTES:

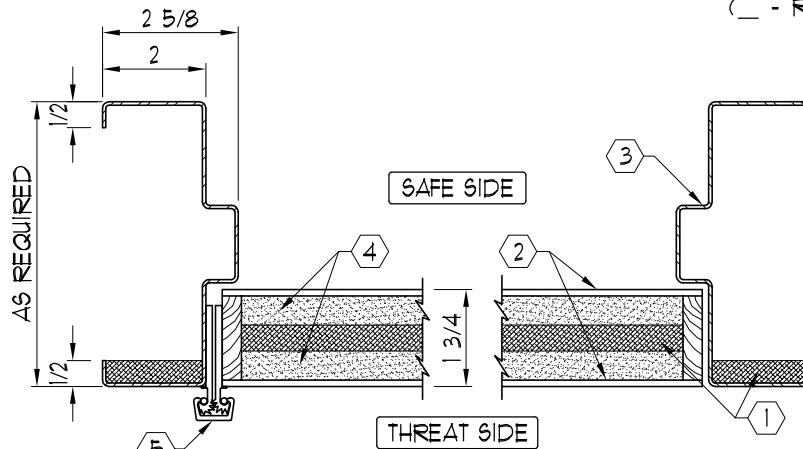
- ① UL LISTED ARMORTEX® BULLET RESISTANT COMPOSITES
- ② UNFINISHED VENEER IS RED OAK OR BIRCH (ANY CUSTOM VENEER IS AVAILABLE)
- ③ 16 GA. PRIME PAINTED STEEL FRAME
- ④ CORE - PARTICLE BOARD
- ⑤ CONTINUOUS GEAR HINGE
- ⑥ HARDWARE AS SPECIFIED (BY OTHERS) (UNLESS NOTED)

NOTE:

ALL SURFACE MOUNTED HARDWARE OR DEVICES MUST BE THRU BOLTED



NL
ELEVATION
(_ - REQUIRED)



SECTION A-A

C:\ARMORTEX MASTERS - 2007\DOORS\D1012001.DWG.DWG 03/21/07 @ 09:32 User: aperez

REVISIONS			ARMORTEX® BULLET / BLAST RESISTANT PRODUCTS 5926 CORRIDOR PKWY SCHERTZ, TX 78154 TEL: 210-661-8306 800-880-8306 FAX: 210-661-8308		BALLISTIC LEVEL	
No.	DESCRIPTION	DATE			DRN. BY:	DATE:
			A. Perez	02-16-07		
			CHKD. BY:	DATE:		
			DRAWING No.	SHEET		
			D1012001	1 OF 1		
TITLE:			PROJECT NAME:	SCALE:	PROJECT No.	
ARMORTEX® BULLET RESISTANT NL 3684 WOOD DOOR				NONE		
UNLESS OTHERWISE SPECIFIED ALL DIMENSIONS ARE IN INCHES						