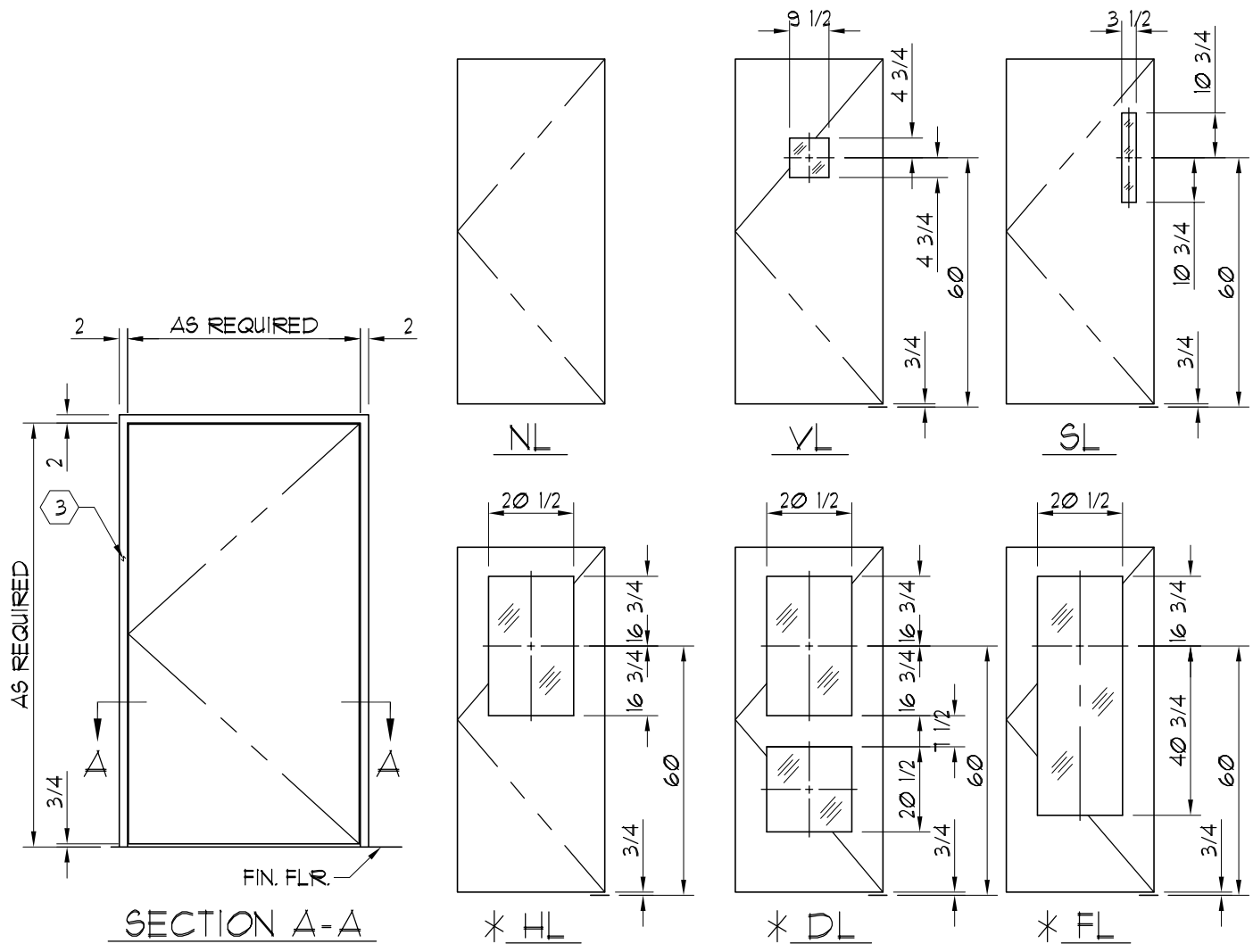
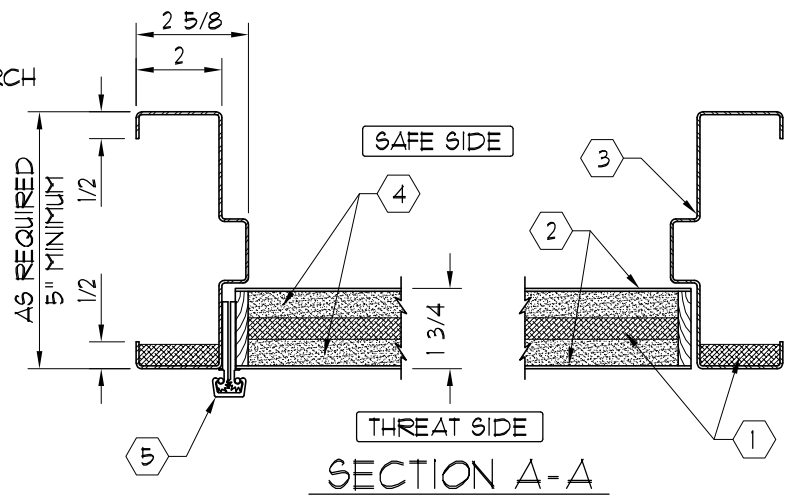


NOTES:

- ① UL LISTED ARMORTEX® BULLET RESISTANT COMPOSITES
- ② UNFINISHED VENEER IS RED OAK OR BIRCH ANY CUSTOM VENEER IS AVAILABLE
- ③ 16 GA. PRIMED STEEL FRAME
- ④ CORE - PARTICLE BOARD
- ⑤ CONTINUOUS GEAR HINGE
- ⑥ HARDWARE AS SPECIFIED (BY OTHERS) (UNLESS NOTED)

\* STANDARD GLASS SIZES ARE FOR A 36" x 84" DOOR



C:\ARMORTEX MASTERS - 2007\DOORS\D1012000.DWG.DWG 02/15/07 @ 09:34 User: aperez

REVISIONS		
No.	DESCRIPTION	DATE

**ARMORTEX®** BULLET / BLAST RESISTANT PRODUCTS  
 5926 CORRIDOR PKWY SCHERTZ, TX 78154  
 TEL: 210-661-8306 800-880-8306 FAX: 210-661-8308

TITLE: ARMORTEX® BULLET RESISTANT WOOD DOOR DETAILS  
 UNLESS OTHERWISE SPECIFIED ALL DIMENSIONS ARE IN INCHES

PROJECT NAME: \_\_\_\_\_  
 SCALE: NONE PROJECT No. \_\_\_\_\_

BALLISTIC LEVEL	
DRN.BY: A. Perez	DATE: 02-16-07
CHKD.BY:	DATE:
DRAWING No. D1012000	SHEET 1 OF 1