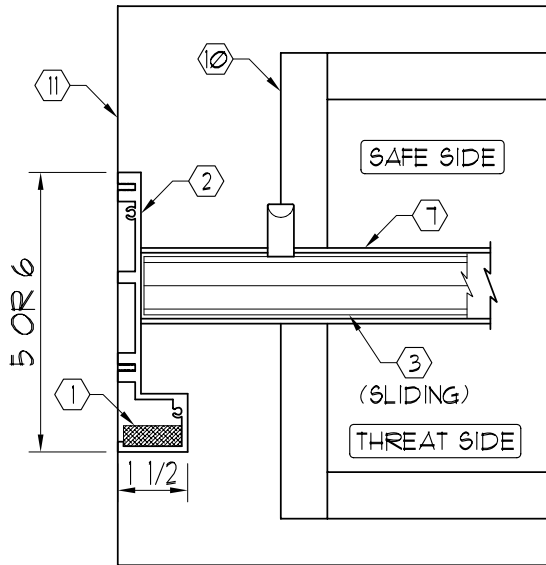


NOTE:

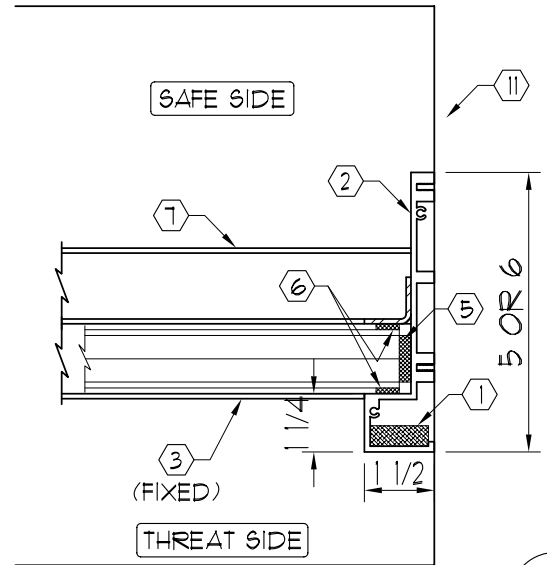
- ① UL LISTED ARMORTEX® BULLET RESISTANT COMPOSITES
- ② EXTRUDED ALUMINUM FRAME (CLEAR ANODIZED)
- ③ UL LISTED ARMORTEX® BULLET RESISTANT GLAZING TP 300 OR 1 1/4" ACRYLIC
- ④ 1/4" Ø QUICK-RELEASE PIN W/ NYLON COATED CABLE
- ⑤ NEOPRENE SETTING BLOCKS

- ⑥ TREMCO-440 GLAZING TAPE
- ⑦ 12 GA. STAINLESS STEEL TRACK
- ⑧ 12 GA. STAINLESS STEEL ROLLER GUARD
- ⑨ ROLLER TRACK (1500 SERIES)
- ⑩ 16 GA. STAINLESS STEEL DIP TRAY (MODEL RMDT-1016)
- ⑪ HIGH PRESSURE LAMINATED BLACK PLASTIC SHELF (STAINLESS STEEL OPTIONAL)



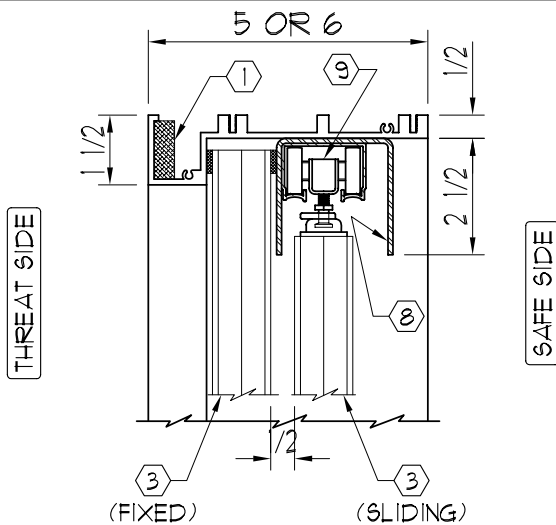
LEFT JAMB

B



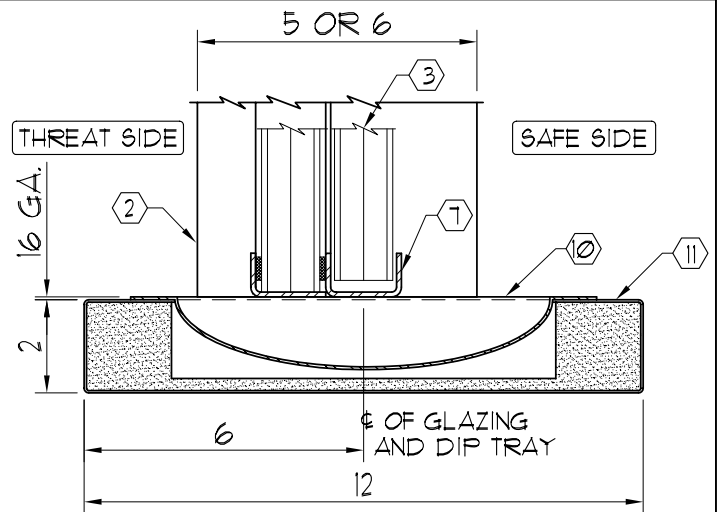
RIGHT JAMB

C



HEAD

D



SILL

E

C:\ARMORTEX MASTERS - 2007\WINDOWS\ALUMINUM\W2011518.DWG.DWG 02/13/07 @ 16:13 User: aperez

REVISIONS

| No. | DESCRIPTION | DATE |
|-----|-------------|------|
| | | |
| | | |
| | | |
| | | |

ARMORTEX® BULLET / BLAST RESISTANT PRODUCTS
 5926 CORRIDOR PKWY SCHERTZ, TX 78154
 TEL: 210-661-8306 800-880-8306 FAX: 210-661-8308

TITLE:
 ARMORTEX® BULLET RESISTANT ALUMINUM TRANSACTION SLIDING WINDOW
 UNLESS OTHERWISE SPECIFIED ALL DIMENSIONS ARE IN INCHES

PROJECT NAME:
 SCALE: NONE
 PROJECT No.:

BALLISTIC LEVEL

| | |
|-------------------------|-------------------|
| DRN. BY: A. Perez | DATE: 02-16-07 |
| CHKD. BY: | DATE: |
| DRAWING No. W2011518 | SHEET 2 OF 2 |