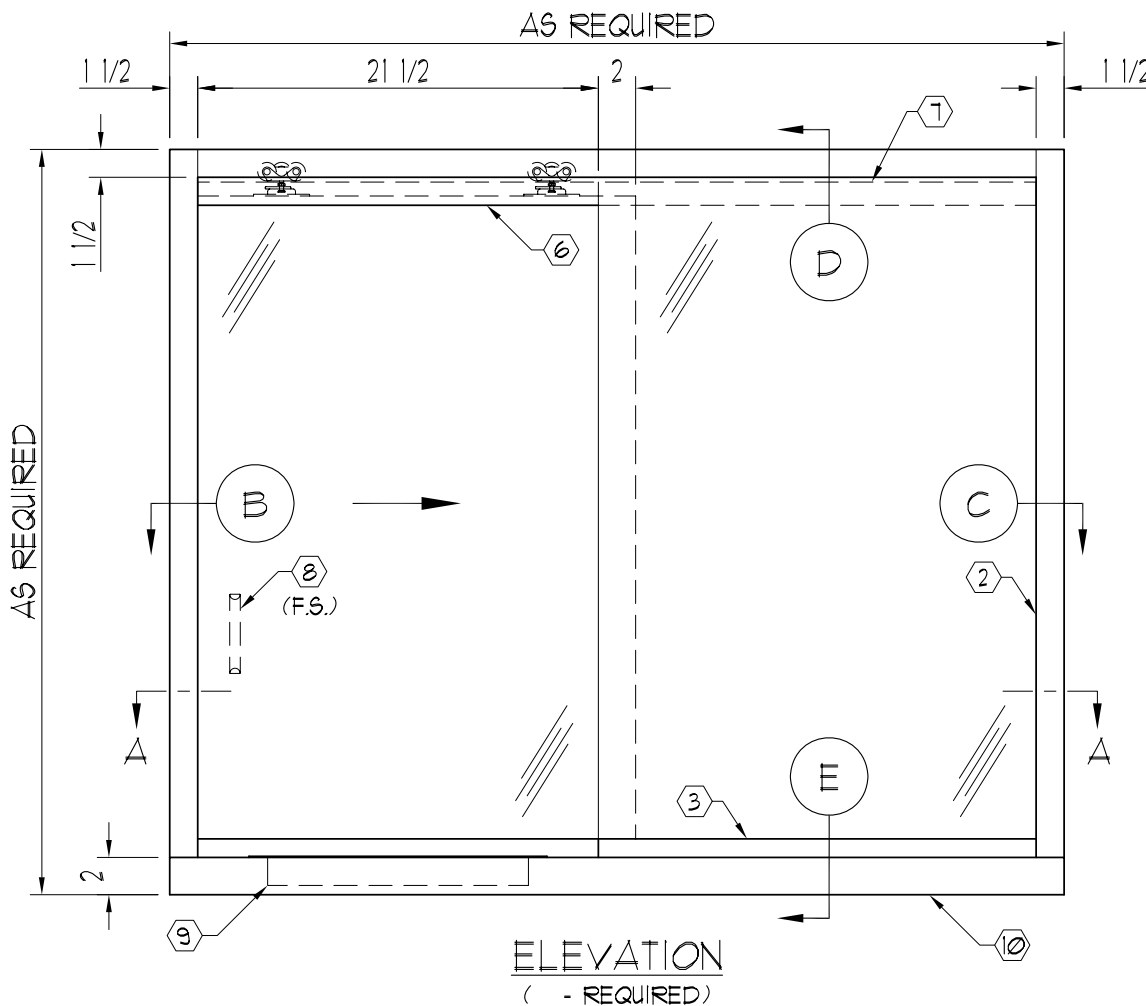
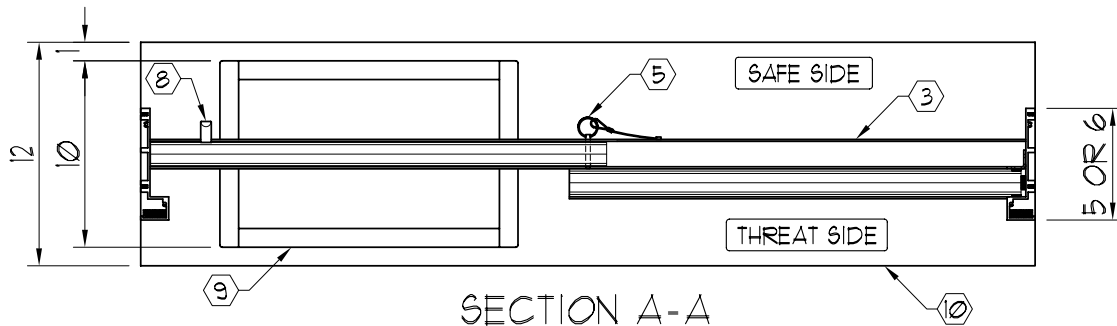


NOTES:

- ① UL LISTED ARMORTEX® BULLET RESISTANT COMPOSITES
- ② EXTRUDED ALUMINUM FRAME (CLEAR ANODIZED)
- ③ 12 GA. STAINLESS STEEL TRACK
- ④ UL LISTED ARMORTEX® BULLET RESISTANT GLAZING TP 300 OR 1 1/4" ACRYLIC
- ⑤ 1/4" Ø QUICK-RELEASE PIN W/ NYLON COATED CABLE
- ⑥ DOUBLE 12 GA. STAINLESS STEEL ROLLER GUARD
- ⑦ ROLLER TRACK (1500 SERIES)
- ⑧ HANDPULL
- ⑨ 16 GA. STAINLESS STEEL DIP TRAY (MODEL RMDT-1016)
- ⑩ HIGH PRESSURE LAMINATED BLACK PLASTIC SHELF (STAINLESS STEEL OPTIONAL)
- ⑪ ANCHORS AS REQUIRED (BY OTHERS)



C:\ARMORTEX_MASTERS - 2007\WINDOWS\ALUMINUM\W1011518.DWG.DWG 02/13/07 @ 16:13 User: gperez

REVISIONS			ARMORTEX® BULLET / BLAST RESISTANT PRODUCTS		BALLISTIC LEVEL	
No.	DESCRIPTION	DATE	5926 CORRIDOR PKWY SCHERTZ, TX 78154		DRN. BY:	DATE:
			TEL: 210-661-8306 800-880-8306 FAX: 210-661-8308		A. Perez	02-16-07
			TITLE:	PROJECT NAME:	CHKD. BY:	DATE:
			ARMORTEX® BULLET RESISTANT ALUMINUM TRANSACTION SLIDING WINDOW		DRAWING No.	SHEET
			UNLESS OTHERWISE SPECIFIED ALL DIMENSIONS ARE IN INCHES	SCALE: NONE	PROJECT No.	W1011518 1 OF 2