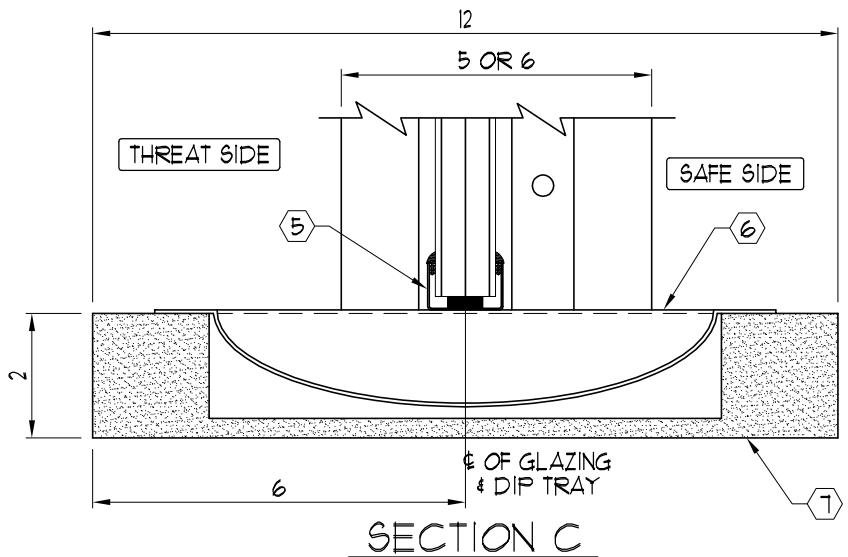
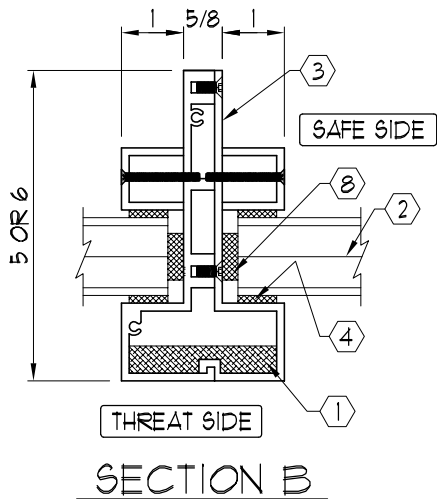
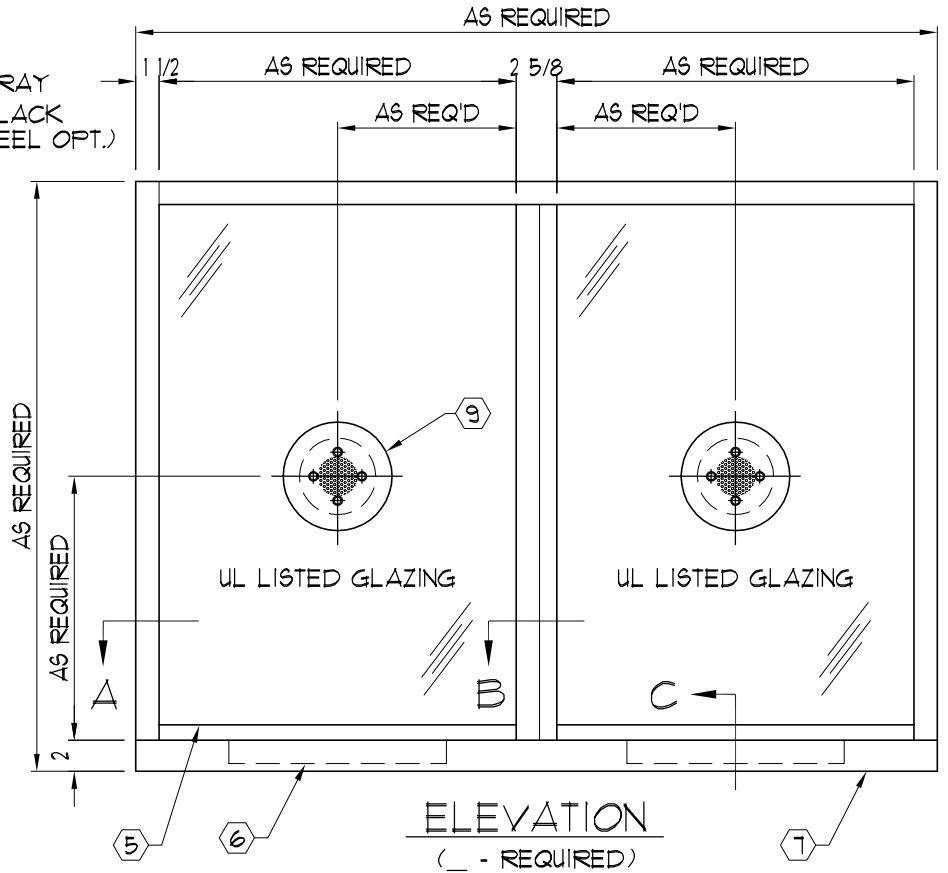
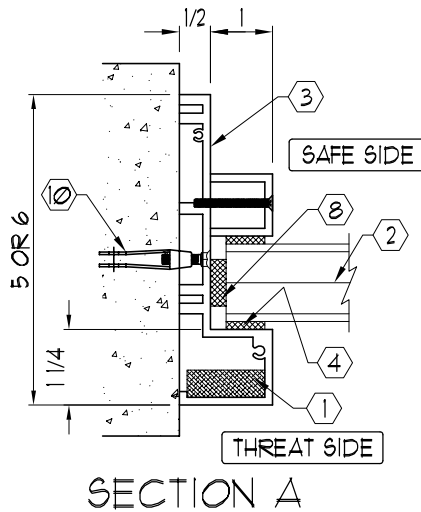


NOTES:

- ① UL LISTED ARMORTEX® BULLET RESISTANT COMPOSITES
- ② UL LISTED ARMORTEX® BULLET RESISTANT GLAZING
- ③ EXTRUDED ALUMINUM FRAME (CLEAR ANODIZED)
- ④ TREMCO-440 GLAZING TAPE
- ⑤ 20 GA. STAINLESS STEEL CAP
- ⑥ 16 GA. STAINLESS STEEL DIP TRAY
- ⑦ HIGH PRESSURE LAMINATED BLACK PLASTIC SHELF (STAINLESS STEEL OPT.)
- ⑧ NEOPRENE SETTING BLOCK
- ⑨ SPEAKER MODEL 66BR5-7
- ⑩ ANCHORS AS REQUIRED (BY OTHERS)

⑩ ALL ALUMINUM TO BE CLEAR ANODIZED  
 ALL TYPES OF BULLET RESISTANT GLAZING AVAILABLE IN MOST PROTECTION LEVELS  
 FRAMES AVAILABLE IN LEVELS 1, 2, 3 & 4



C:\ARMORTEX MASTERS - 2007\WINDOWS\ALUMINUM\W1011517.DWG.DWG 02/13/07 @ 16:19 User: operez

REVISIONS		
No.	DESCRIPTION	DATE

**ARMORTEX®** BULLET / BLAST RESISTANT PRODUCTS  
 5926 CORRIDOR PKWY SCHERTZ, TX 78154  
 TEL: 210-661-8306 800-880-8306 FAX: 210-661-8308

TITLE: ARMORTEX® BULLET RESISTANT ALUMINUM FIXED TRANSACTION WINDOW SSATW PROJECT NAME: \_\_\_\_\_

UNLESS OTHERWISE SPECIFIED ALL DIMENSIONS ARE IN INCHES SCALE: NONE PROJECT No. \_\_\_\_\_

BALLISTIC LEVEL	
DRN.BY: A. Perez	DATE: 02-16-07
CHKD.BY:	DATE:
DRAWING No. W1011517	SHEET 1 OF 1