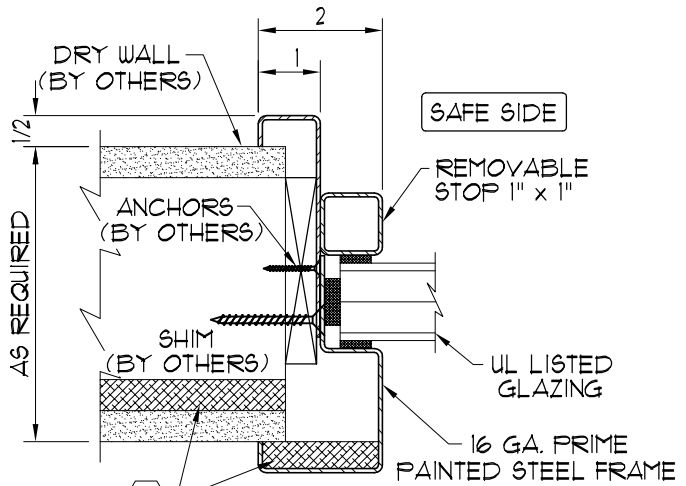


THREAT SIDE

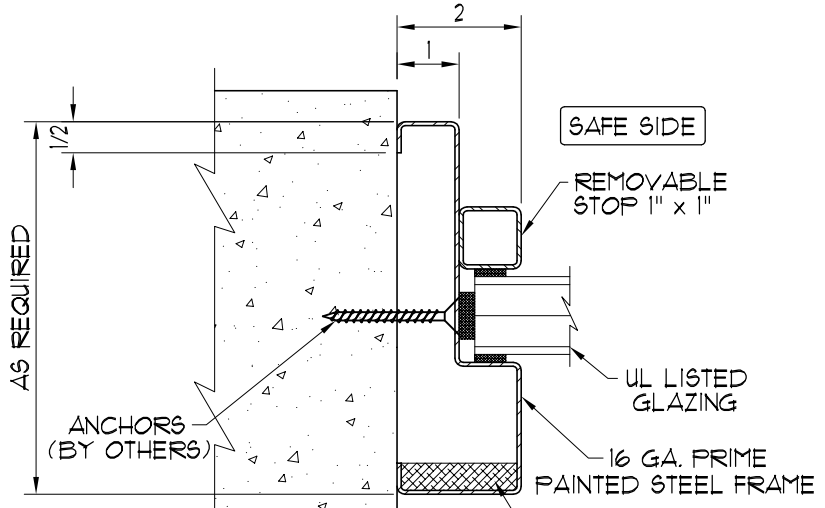
WRAP FRAME



THREAT SIDE

SPLIT FRAME

(RECOMMENDED FOR USE IN EXISTING WALL)



THREAT SIDE

BUTT FRAME

NOTE:

① UL LISTED ARMORTEX® BULLET RESISTANT COMPOSITES

C:\ARMORTEX MASTERS - 2007\WINDOWS\W1011048A.DWG User: operez 02/13/07 @ 13:36

REVISIONS		
No.	DESCRIPTION	DATE

**ARMORTEX®** BULLET / BLAST RESISTANT PRODUCTS  
 5926 CORRIDOR PKWY SCHERTZ, TX 78154  
 TEL: 210-661-8306 800-880-8306 FAX: 210-661-8308

TITLE: ARMORTEX® BULLET RESISTANT TRANSACTION WINDOW JAMB TYPES  
 UNLESS OTHERWISE SPECIFIED ALL DIMENSIONS ARE IN INCHES

PROJECT NAME: \_\_\_\_\_  
 SCALE: NONE PROJECT No. \_\_\_\_\_

BALLISTIC LEVEL	
DRN. BY: A. Perez	DATE: 02-16-07
CHKD. BY:	DATE:
DRAWING No. W1011048A	SHEET 1 OF 1