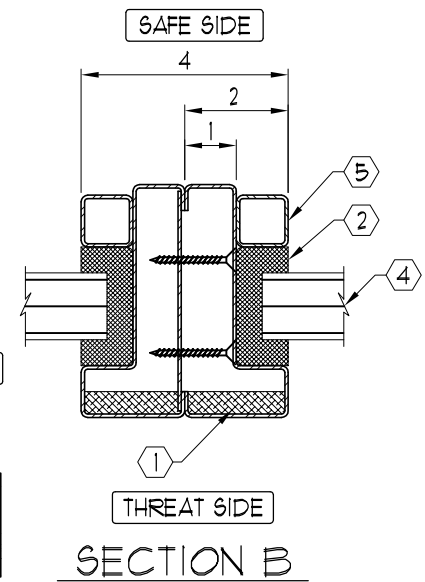
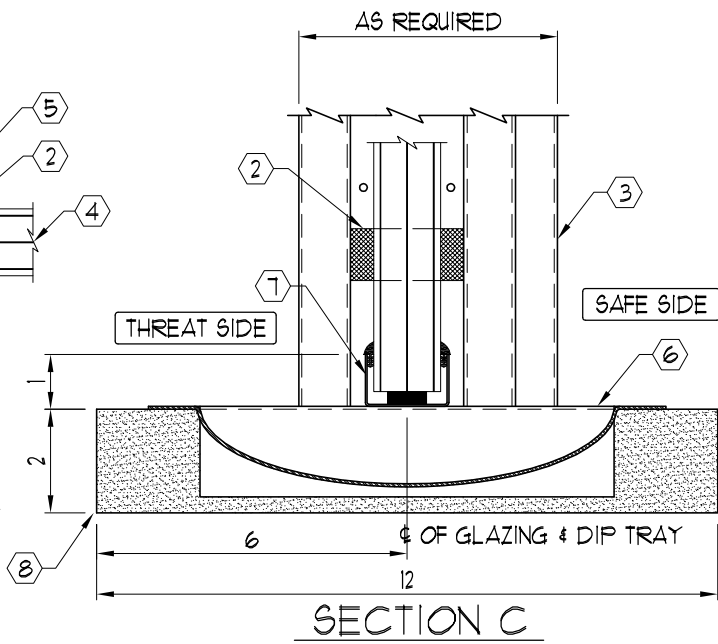
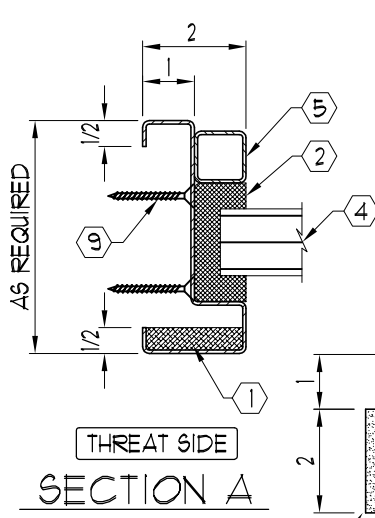
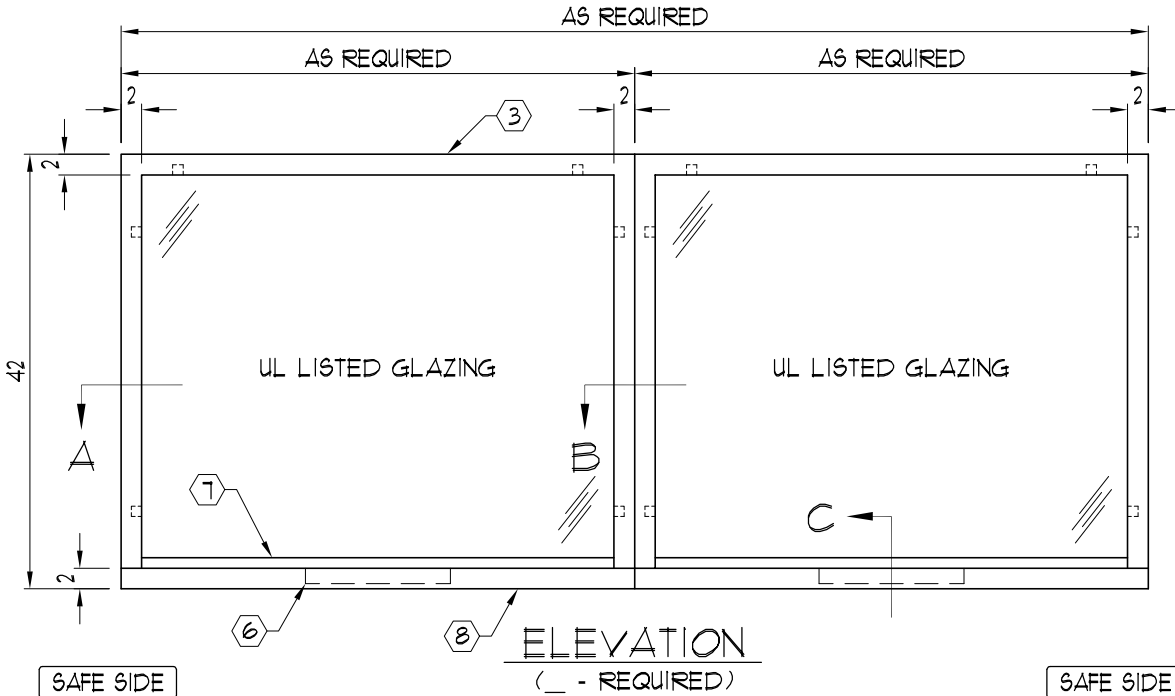


NOTES:

- ① UL LISTED ARMORTEX® BULLET RESISTANT COMPOSITES
- ② NATURAL VOICE SPACERS
- ③ 16 GA. PRIME PAINTED STEEL FRAME (STAINLESS STEEL OPTIONAL)
- ④ UL LISTED ARMORTEX® BULLET RESISTANT LAMINATED GLASS
- ⑤ REMOVABLE STOP 1" x 1"
- ⑥ 16 GA. STAINLESS STEEL DIP TRAY (MODEL RMDT-1016)
- ⑦ 20 GA. STAINLESS STEEL CAP
- ⑧ HIGH PRESSURE LAMINATED BLACK PLASTIC SHELF (STAINLESS STEEL OPTIONAL)
- ⑨ ANCHOR HOLES AS REQUIRED (ANCHORS BY OTHERS)



C:\ARMORTEX MASTERS - 2007\WINDOWS\W1011041.DWG.DWG 02/13/07 @ 13:25 User: aperez

REVISIONS			ARMORTEX® BULLET / BLAST RESISTANT PRODUCTS		BALLISTIC LEVEL	
No.	DESCRIPTION	DATE	5926 CORRIDOR PKWY SCHERTZ, TX 78154		DRN.BY:	DATE:
			TEL: 210-661-8306 800-880-8306 FAX: 210-661-8308		A. Perez	02-16-07
			TITLE: ARMORTEX® BULLET RESISTANT MULTIPLE THREE SIDED NATURAL VOICE WINDOWS		CHKD.BY:	DATE:
			UNLESS OTHERWISE SPECIFIED ALL DIMENSIONS ARE IN INCHES		DRAWING No.	SHEET
			SCALE: NONE	PROJECT No.	W1011041	1 OF 1