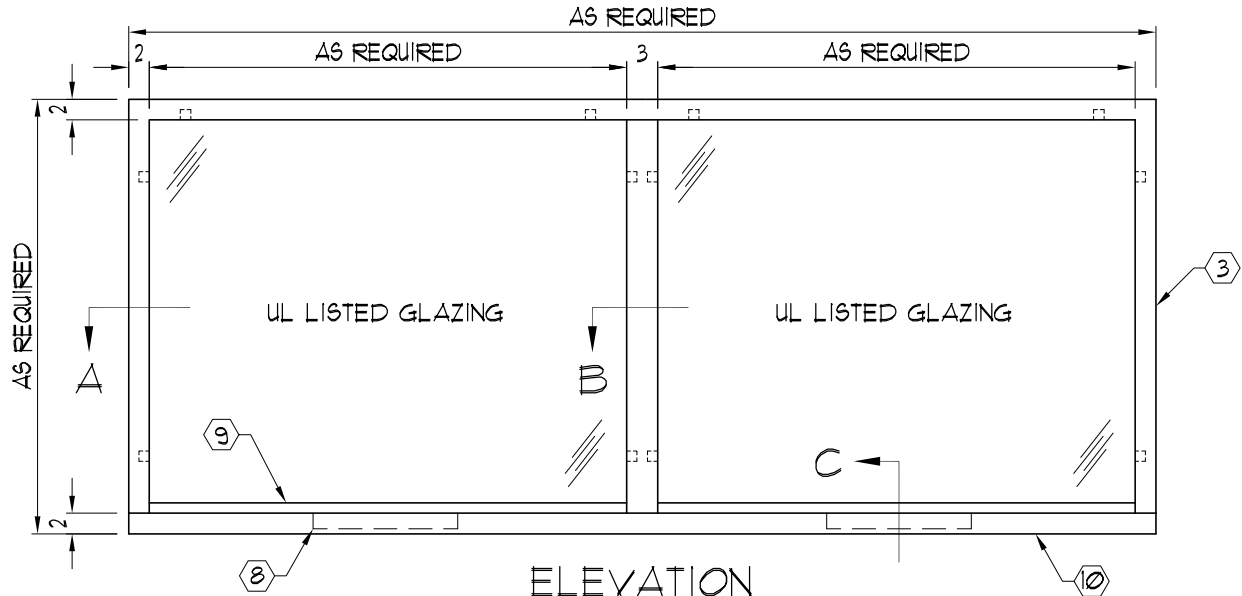
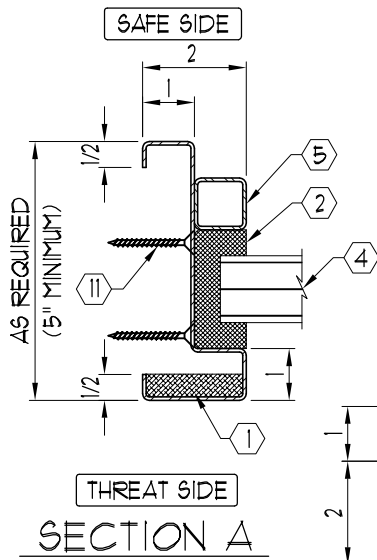


NOTES:

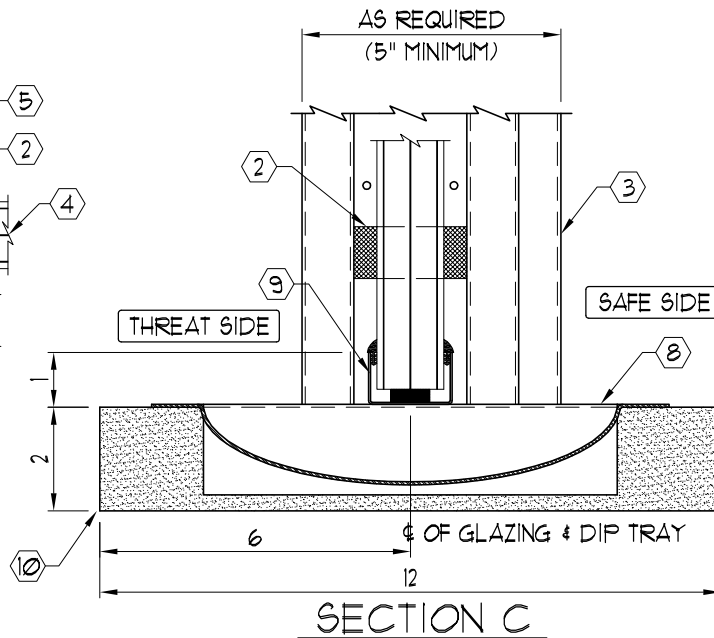
- ① UL LISTED ARMORTEX® BULLET RESISTANT COMPOSITES
- ② NATURAL VOICE SPACERS
- ③ 16 GA. PRIME PAINTED STEEL FRAME (STAINLESS STEEL OPTIONAL)
- ④ UL LISTED ARMORTEX® BULLET RESISTANT GLAZING
- ⑤ REMOVABLE STOP 1" x 1"
- ⑥ 1" x 3" RECTANGULAR TUBE
- ⑦ 1" x 1" RECTANGULAR TUBE
- ⑧ 16 GA. STAINLESS STEEL DIP TRAY (MODEL RMDT-1016)
- ⑨ 20 GA. STAINLESS STEEL CAP
- ⑩ HIGH PRESSURE LAMINATED BLACK PLASTIC SHELF (STAINLESS STEEL OPTIONAL)
- ⑪ ANCHOR HOLES AS REQUIRED (ANCHORS BY OTHERS)



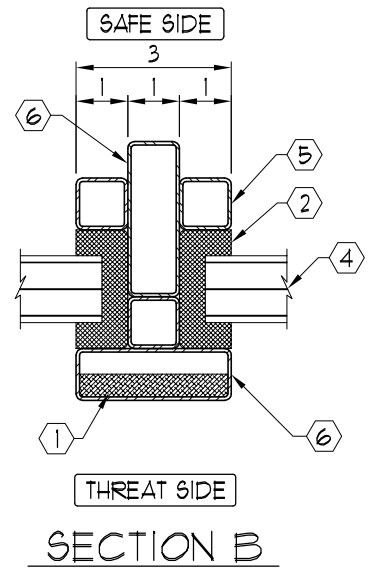
ELEVATION  
( \_ - REQUIRED )



SECTION A



SECTION C



SECTION B

C:\ARMORTEX MASTERS - 2007\WINDOWS\W1011040.DWG.DWG 02/13/07 @ 11:44 User: aperez

REVISIONS		
No.	DESCRIPTION	DATE

**ARMORTEX®** BULLET / BLAST RESISTANT PRODUCTS  
 5926 CORRIDOR PKWY SCHERTZ, TX 78154  
 TEL: 210-661-8306 800-880-8306 FAX: 210-661-8308

TITLE: ARMORTEX® BULLET RESISTANT THREE SIDED NATURAL VOICE WINDOW WITH MULLION

PROJECT NAME: \_\_\_\_\_

SCALE: NONE PROJECT No. \_\_\_\_\_

UNLESS OTHERWISE SPECIFIED ALL DIMENSIONS ARE IN INCHES

BALLISTIC LEVEL	
DRN.BY: A. Perez	DATE: 02-16-07
CHKD.BY:	DATE:
DRAWING No. W1011040	SHEET 1 OF 1