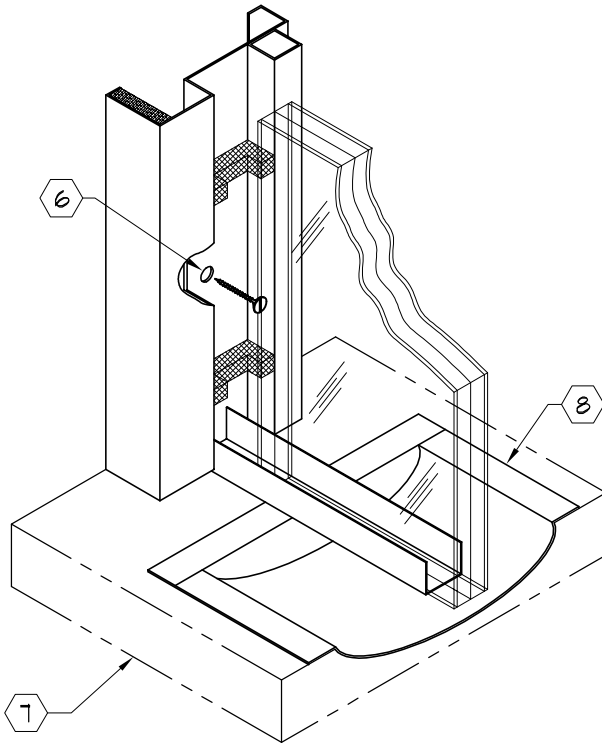
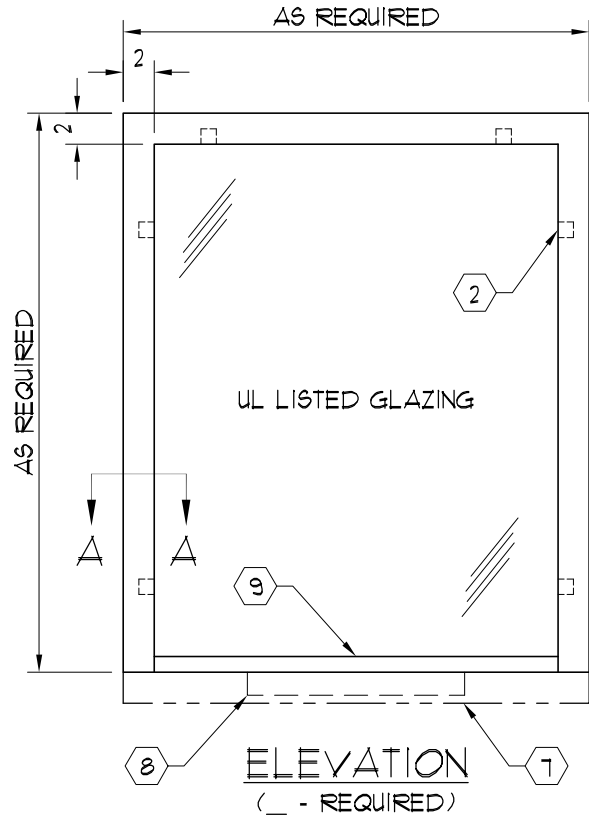
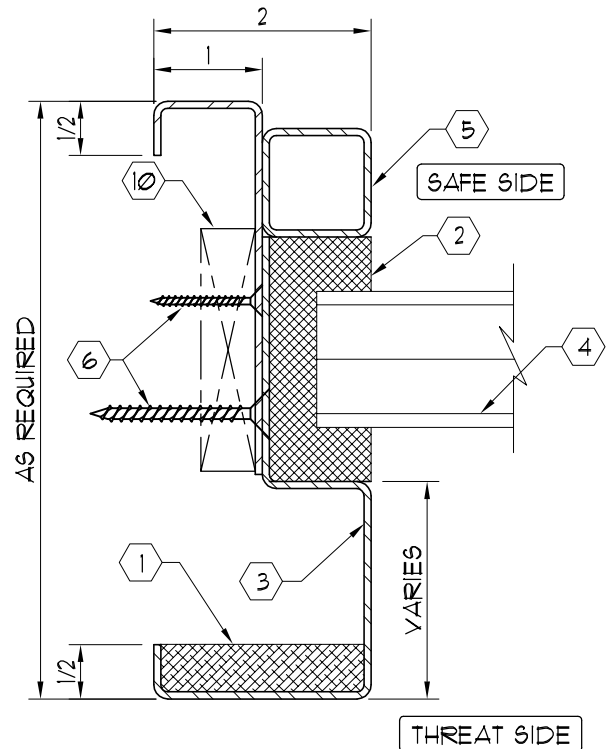


NOTES:

- ① UL LISTED ARMORTEX® BULLET RESISTANT COMPOSITES
- ② NATURAL VOICE SPACERS
- ③ 16 GA. PRIME PAINTED STEEL FRAME (STAINLESS STEEL OPTIONAL)
- ④ UL LISTED ARMORTEX® BULLET RESISTANT GLAZING
- ⑤ REMOVABLE STOP 1" x 1"
- ⑥ FIELD DRILL HOLES AND SET ANCHORS AFTER CORRECTLY POSITIONING BOTH HALES OF SPLIT FRAME (ANCHORS, BY OTHERS)
- ⑦ COUNTER TOP (BY OTHERS)
- ⑧ 16 GA. STAINLESS STEEL DIP TRAY (MODEL RMDT-1016) (SHIPPED LOOSE)
- ⑨ 20 GA. STAINLESS STEEL CAP
- ⑩ SHIM AS REQUIRED (BY OTHERS)



THIS VIEW FOR CLARITY ONLY



C:\ARMORTEX MASTERS - 2007\WINDOWS\W1011028.DWG.DWG 02/13/07 @ 11:24 User: aperez

REVISIONS			ARMORTEX® BULLET / BLAST RESISTANT PRODUCTS		BALLISTIC LEVEL	
No.	DESCRIPTION	DATE	5926 CORRIDOR PKWY SCHERTZ, TX 78154		DRN. BY:	DATE:
			TEL: 210-661-8306 800-880-8306 FAX: 210-661-8308		A. Perez	02-16-07
			TITLE:	PROJECT NAME:	CHKD. BY:	DATE:
			ARMORTEX® BULLET RESISTANT SPLIT THREE SIDED NATURAL VOICE WINDOW			
MODEL SSTW-28			UNLESS OTHERWISE SPECIFIED ALL DIMENSIONS ARE IN INCHES		DRAWING No.	SHEET
			SCALE	PROJECT No.	W1011028	1 OF 1
			NONE			