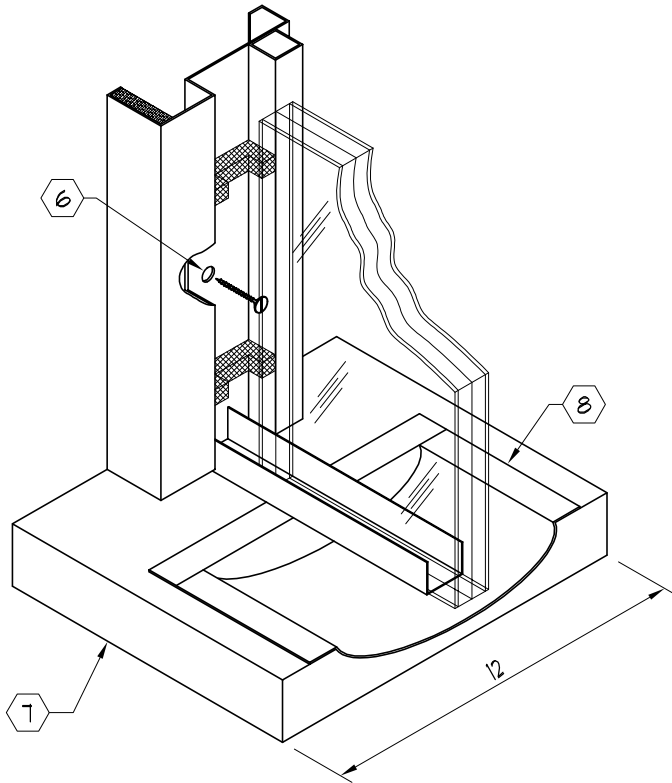
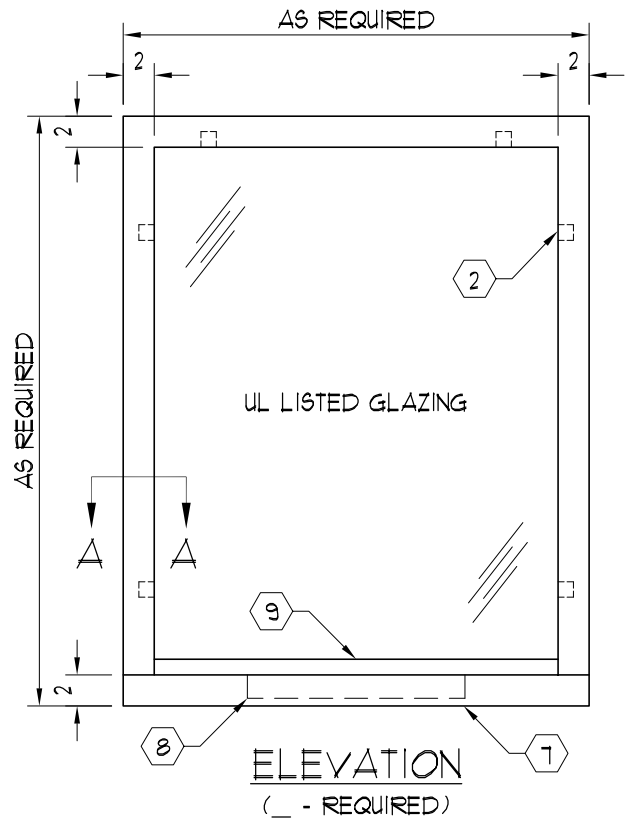
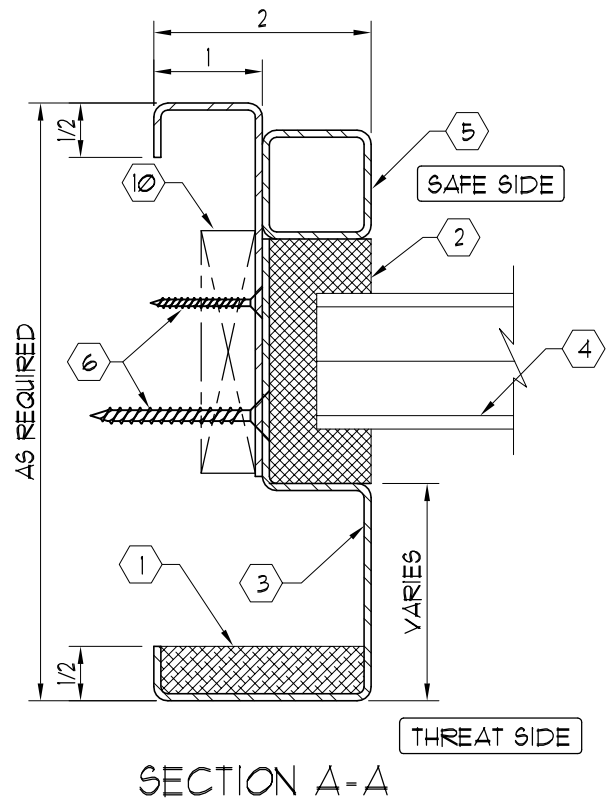


NOTES:

- ① UL LISTED ARMORTEX® BULLET RESISTANT COMPOSITES
- ② NATURAL VOICE SPACERS
- ③ 16 GA. PRIME PAINTED STEEL FRAME (STAINLESS STEEL OPTIONAL)
- ④ UL LISTED ARMORTEX® BULLET RESISTANT GLAZING
- ⑤ REMOVABLE STOP 1" x 1"
- ⑥ FIELD DRILL HOLES AND SET ANCHORS AFTER CORRECTLY POSITIONING BOTH HALVES OF SPLIT FRAME (ANCHORS, BY OTHERS)
- ⑦ HIGH PRESSURE LAMINATED BLACK PLASTIC SHELF (STAINLESS STEEL OPTIONAL)
- ⑧ 16 GA. STAINLESS STEEL DIP TRAY (MODEL RMDT-1016)
- ⑨ 20 GA. STAINLESS STEEL CAP
- ⑩ SHIM AS REQUIRED (BY OTHERS)



THIS VIEW FOR CLARITY ONLY



C:\ARMORTEX MASTERS - 2007\WINDOWS\W1011021.DWG.DWG 02/13/07 @ 10:38 User: aperez

REVISIONS			ARMORTEX® BULLET / BLAST RESISTANT PRODUCTS		BALLISTIC LEVEL	
No.	DESCRIPTION	DATE	5926 CORRIDOR PKWY SCHERTZ, TX 78154		DRN.BY:	DATE:
			TEL: 210-661-8306 800-880-8306 FAX: 210-661-8308		A. Perez	02-16-07
TITLE:			PROJECT NAME:		CHKD.BY:	DATE:
MODEL SSTW-21			ARMORTEX® BULLET RESISTANT SPLIT THREE SIDED NATURAL VOICE WINDOW			
UNLESS OTHERWISE SPECIFIED ALL DIMENSIONS ARE IN INCHES			SCALE	PROJECT No.	DRAWING No.	SHEET
			NONE		W1011021	1 OF 1