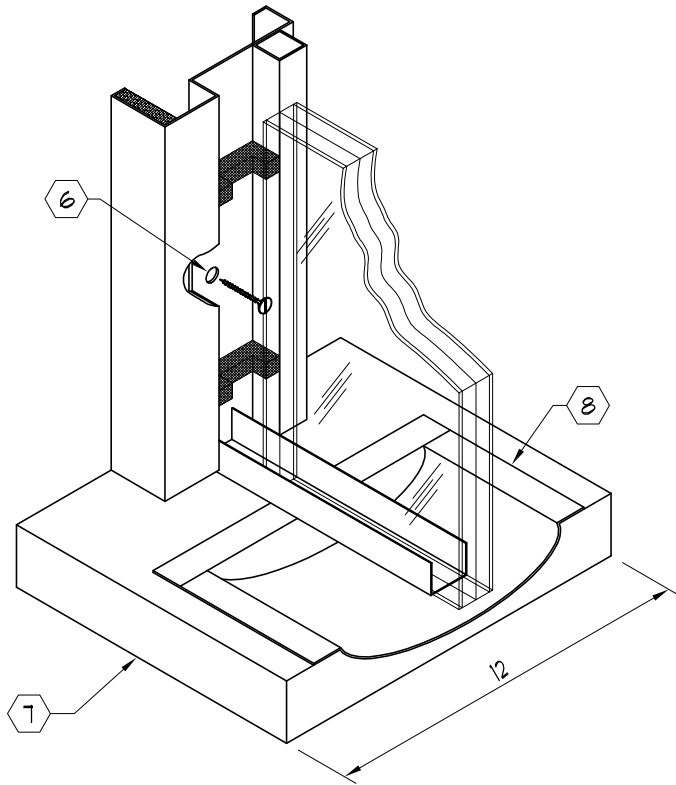
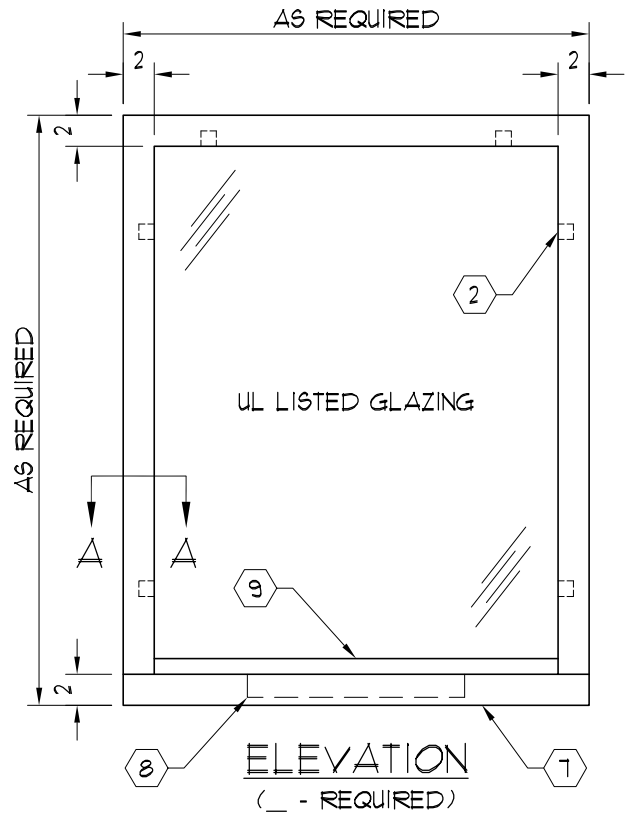
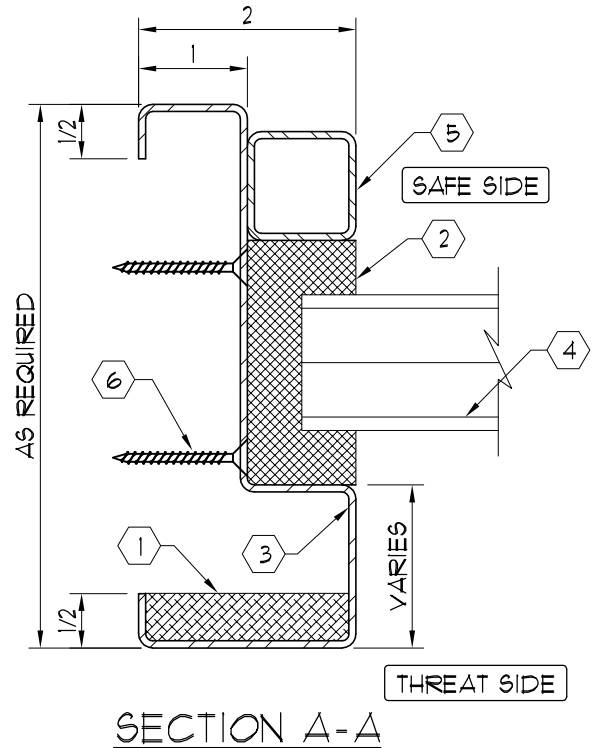


NOTES:

- ① UL LISTED ARMORTEX® BULLET RESISTANT COMPOSITES
- ② NATURAL VOICE SPACERS
- ③ 16 GA. PRIME PAINTED STEEL FRAME (STAINLESS STEEL OPTIONAL)
- ④ UL LISTED ARMORTEX® BULLET RESISTANT GLAZING
- ⑤ REMOVABLE STOP 1" x 1"
- ⑥ ANCHOR HOLES AS REQUIRED (ANCHORS, BY OTHERS)
- ⑦ HIGH PRESSURE LAMINATED BLACK PLASTIC SHELF (STAINLESS STEEL OPTIONAL)
- ⑧ 16 GA. STAINLESS STEEL DIP TRAY (MODEL RMDT-1016)
- ⑨ 20 GA. STAINLESS STEEL CAP



THIS VIEW FOR CLARITY ONLY



C:\ARMORTEX MASTERS - 2007\WINDOWS\W1011019.DWG.DWG 02/13/07 @ 10:06 User: aperez

REVISIONS			ARMORTEX® BULLET / BLAST RESISTANT PRODUCTS 5926 CORRIDOR PKWY SCHERTZ, TX 78154 TEL: 210-661-8306 800-880-8306 FAX: 210-661-8308		BALLISTIC LEVEL	
No.	DESCRIPTION	DATE			DRN.BY:	DATE:
			A. Perez	02-16-07		
			CHKD.BY:	DATE:		
MODEL SSTW-19			TITLE:	PROJECT NAME:	DRAWING No.	SHEET
UNLESS OTHERWISE SPECIFIED ALL DIMENSIONS ARE IN INCHES			SCALE	PROJECT No.	W1011019	1 OF 1
			NONE			