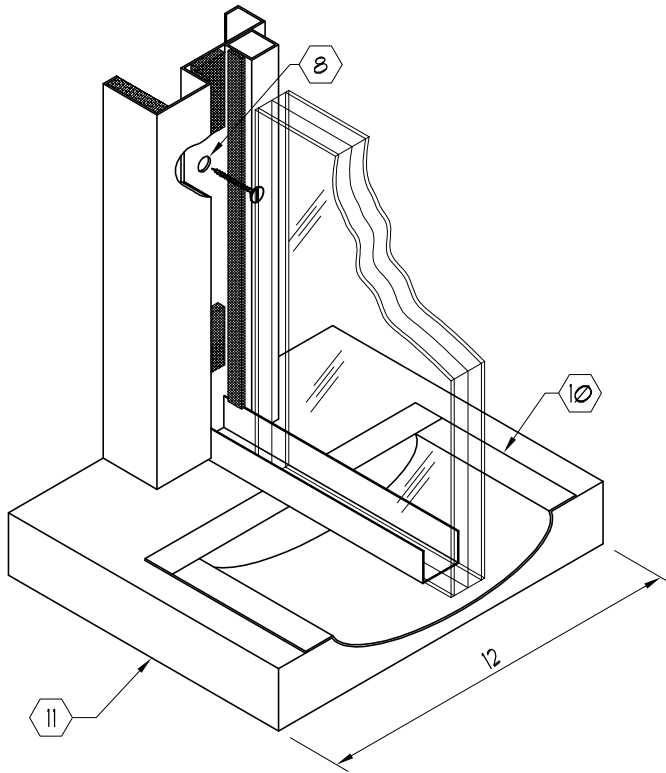
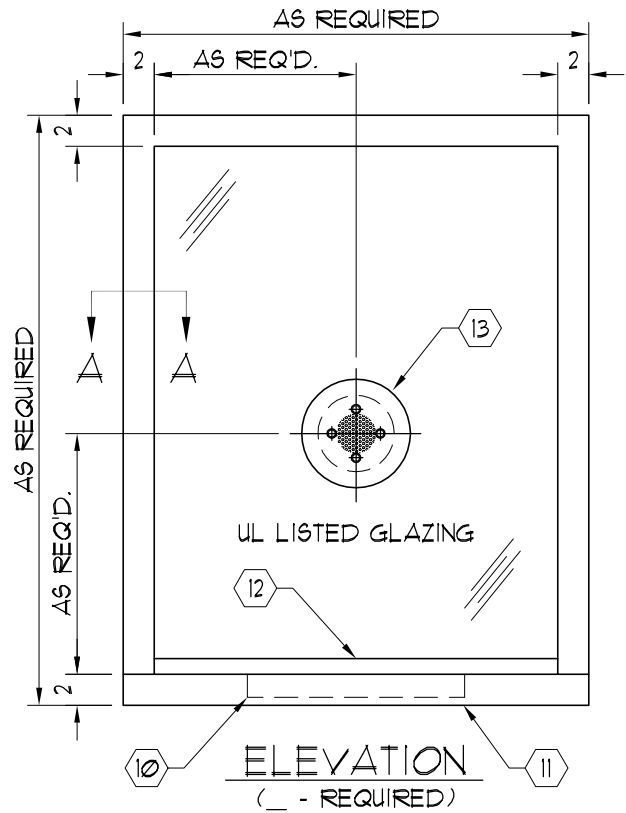
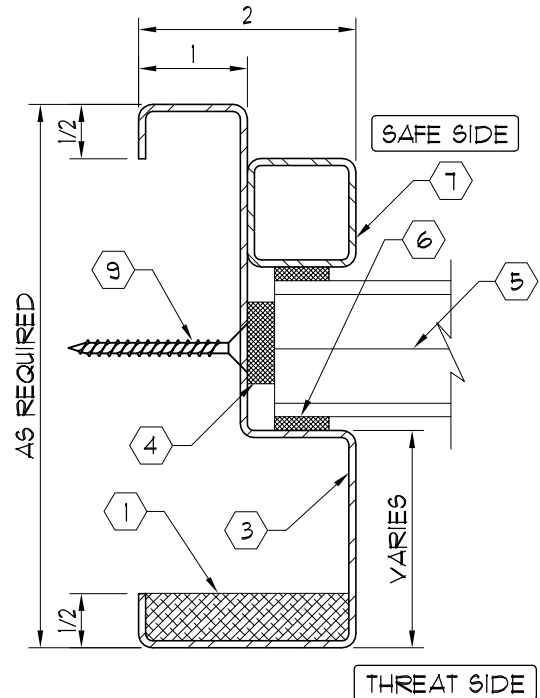


NOTES:

- ① UL LISTED ARMORTEX® BULLET RESISTANT COMPOSITES
- ② FLUSH WELD ALL CORNERS BY MECHANICAL MEANS
- ③ 16 GA. PRIME PAINTED STEEL FRAME (STAINLESS STEEL OPTIONAL)
- ④ NEOPRENE SETTING BLOCKS (TYP. AT 4 SIDES)
- ⑤ UL LISTED ARMORTEX® BULLET RESISTANT GLAZING
- ⑥ TREMCO-440 GLAZING TAPE
- ⑦ REMOVABLE STOP 1" x 1"
- ⑧ ANCHOR HOLES AS REQUIRED
- ⑨ ANCHORS AS REQUIRED (BY OTHERS)
- ⑩ 16 GA. STAINLESS STEEL DIP TRAY (MODEL RMDT-1016)
- ⑪ HIGH PRESSURE LAMINATED BLACK PLASTIC SHELF (STAINLESS STEEL OPTIONAL)
- ⑫ 20 GA. STAINLESS STEEL CAP
- ⑬ SPEAKER MODEL 55BR6-1



THIS VIEW FOR CLARITY ONLY



C:\ARMORTEX MASTERS - 2007\WINDOWS\W1011016.DWG.DWG 02/13/07 @ 09:47 User: aperez

REVISIONS			ARMORTEX® BULLET / BLAST RESISTANT PRODUCTS		BALLISTIC LEVEL	
No.	DESCRIPTION	DATE	5926 CORRIDOR PKWY SCHERTZ, TX 78154		DRN.BY:	DATE:
			TEL: 210-661-8306 800-880-8306 FAX: 210-661-8308		A. Perez	02-16-07
			TITLE: ARMORTEX® BULLET RESISTANT THREE SIDED HOLLOW METAL WINDOW		CHKD.BY:	DATE:
MODEL SSTW-16			UNLESS OTHERWISE SPECIFIED ALL DIMENSIONS ARE IN INCHES		DRAWING No.	SHEET
			SCALE: NONE	PROJECT No.	W1011016	1 OF 1