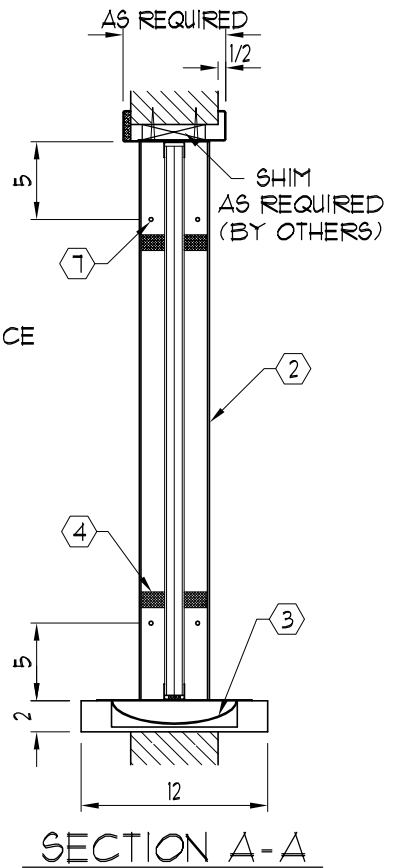
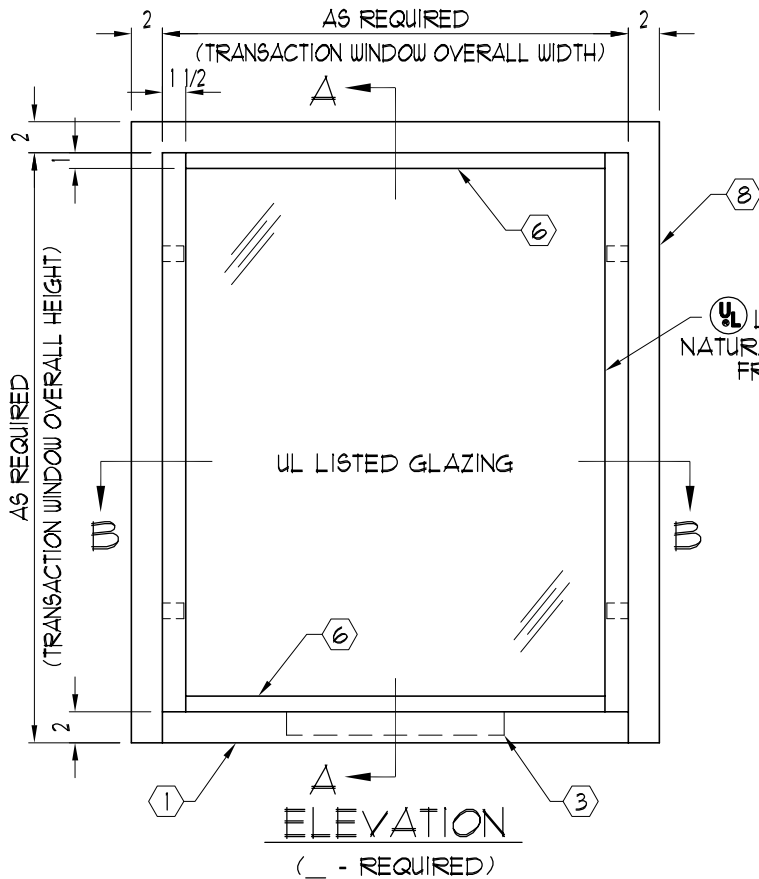
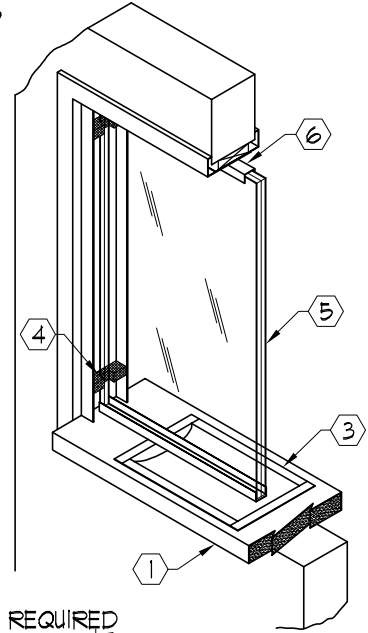
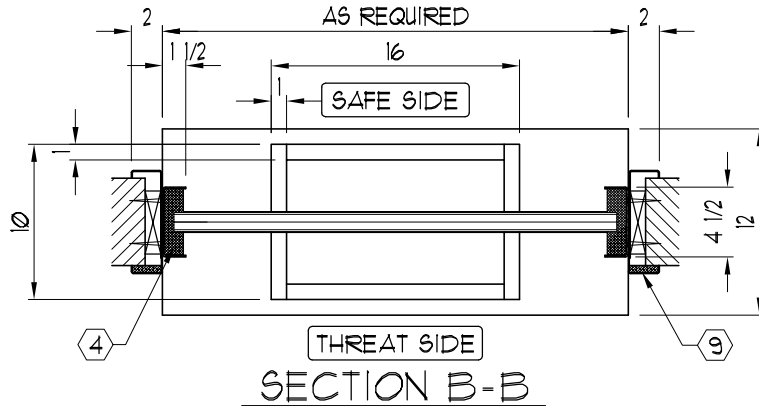


NOTES:

- ① HIGH PRESSURE LAMINATED BLACK PLASTIC SHELF (STAINLESS STEEL OPTIONAL)
- ② 12 GA. STAINLESS STEEL FRAME
- ③ 16 GA. STAINLESS STEEL DIP TRAY
- ④ NATURAL VOICE SPACERS
- ⑤ ARMORTEX® BULLET RESISTANT GLAZING
- ⑥ 20 GA. STAINLESS STEEL CAP TOP AND BOTTOM OF GLAZING
- ⑦ .251 DIA. ANCHOR HOLES (8-PLCS.) (ANCHOR AS REQUIRED, BY OTHERS)
- ⑧ 16 GA. PRIME PAINTED ADJUSTABLE WRAP FRAME (STAINLESS STEEL OPTIONAL)
- ⑨ UL LISTED ARMORTEX® BULLET RESISTANT COMPOSITES



C:\ARMORTEX MASTERS - 2007\WINDOWS\W1011005.DWG 02/13/07 @ 09:10 User: operez

REVISIONS		
No.	DESCRIPTION	DATE

MODEL SSTW-05

ARMORTEX® BULLET / BLAST RESISTANT PRODUCTS
 5926 CORRIDOR PKWY SCHERTZ, TX 78154
 TEL: 210-661-8306 800-880-8306 FAX: 210-661-8308

TITLE: **ARMORTEX® BULLET RESISTANT SPLIT FRAME TRANSACTION WINDOW SSTW**

PROJECT NAME: _____

SCALE: **NONE**

PROJECT No. _____

UNLESS OTHERWISE SPECIFIED ALL DIMENSIONS ARE IN INCHES

BALLISTIC LEVEL	
DRN.BY: A. Perez	DATE: 02-16-07
CHKD.BY:	DATE:
DRAWING No. W1011005	SHEET 1 OF 1