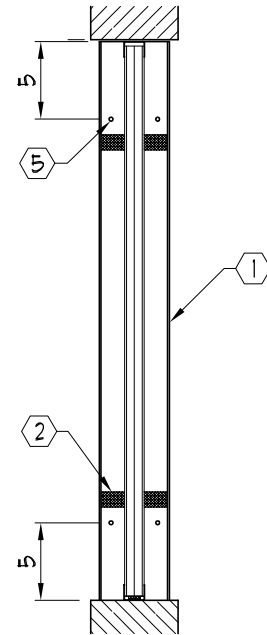
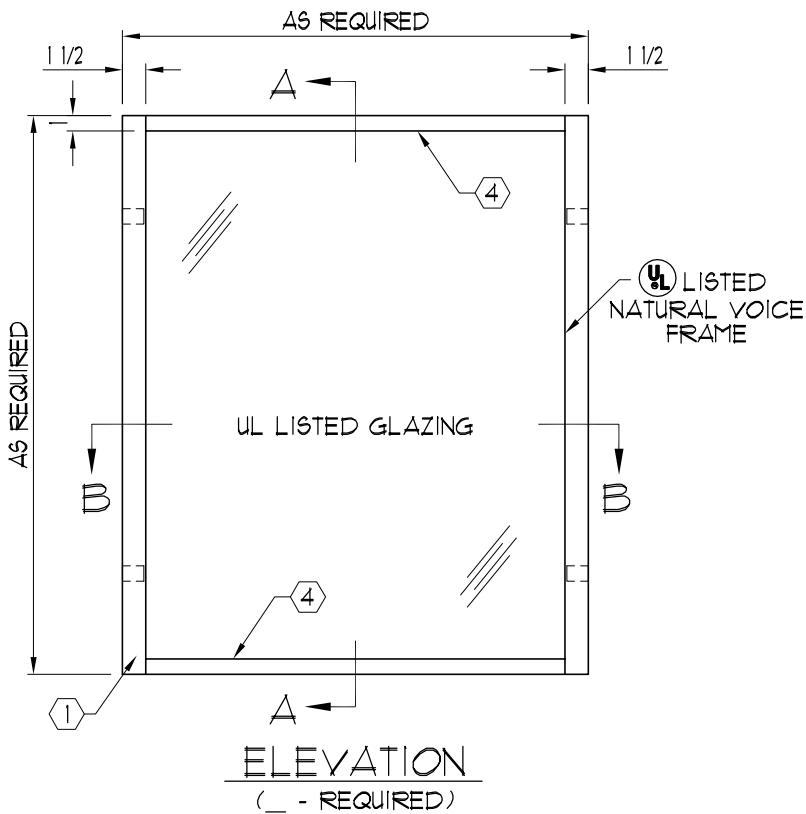
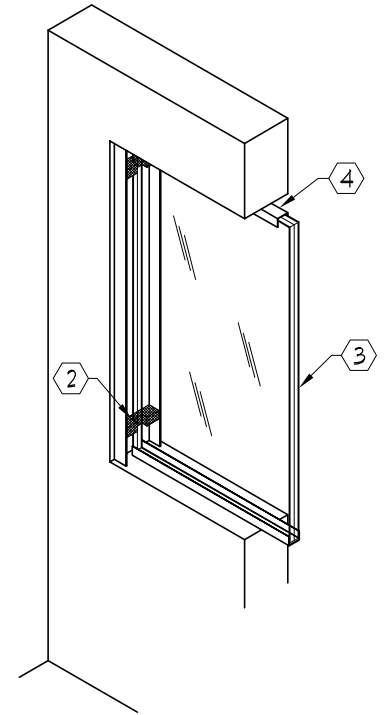
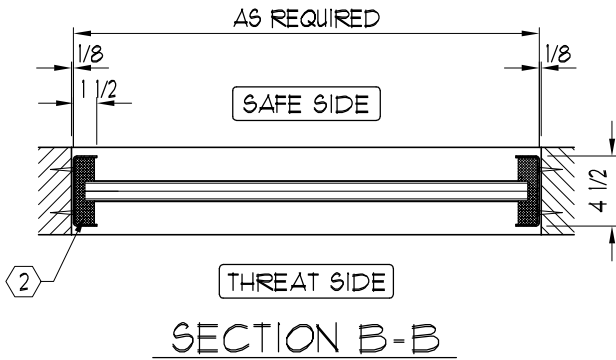


NOTES:

- ① 12 GA. STAINLESS STEEL FRAME
- ② NATURAL VOICE SPACERS
- ③ ARMORTEX® BULLET RESISTANT GLAZING
- ④ 20 GA. STAINLESS STEEL CAP TOP AND BOTTOM OF GLAZING
- ⑤ .251 DIA. ANCHOR HOLES (8-PLCS.) (ANCHOR AS REQUIRED, BY OTHERS)
- ⑥ REQUIRED FINISHED OPENING IS 1/4" GREATER THAN OVERALL DIMENSIONS



SECTION A-A

C:\ARMORTEX MASTERS - 2007\WINDOWS\W1011002.DWG 02/13/07 @ 08:57 User: operez

REVISIONS			<b>ARMORTEX®</b> BULLET / BLAST RESISTANT PRODUCTS 5926 CORRIDOR PKWY SCHERTZ, TX 78154 TEL: 210-661-8306 800-880-8306 FAX: 210-661-8308		BALLISTIC LEVEL	
No.	DESCRIPTION	DATE			DRN.BY:	DATE:
			A. Perez	02-16-07		
TITLE:			PROJECT NAME:		CHKD.BY:	DATE:
ARMORTEX® BULLET RESISTANT TRANSACTION WINDOW SSTW UNLESS OTHERWISE SPECIFIED ALL DIMENSIONS ARE IN INCHES			SCALE:	PROJECT No.	DRAWING No.	SHEET
MODEL SSTW-02			NONE		W1011002	1 OF 1