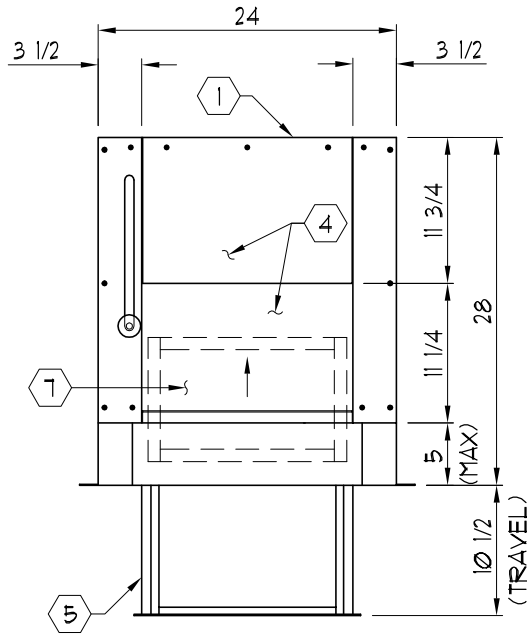


NOTES:

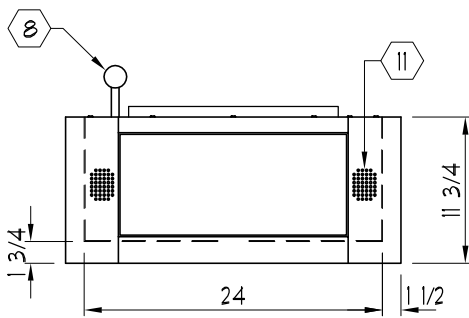
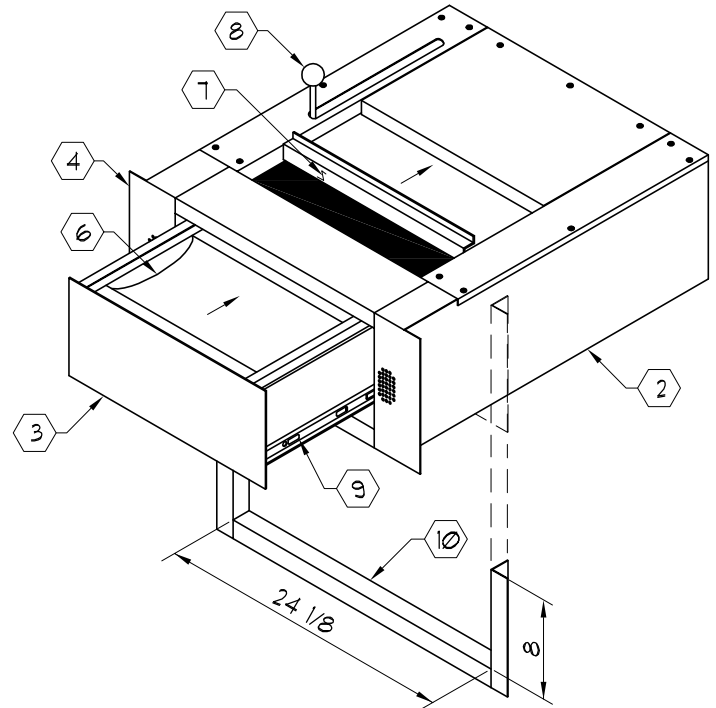
- ① UL LISTED ARMORTEX® BULLET RESISTANT COMPOSITES
- ② 16 GA. PRIME PAINTED STEEL CASE
- ③ 12 GA. STAINLESS STEEL DRAWER FRONT
- ④ 12 GA. STAINLESS STEEL TOP AND FRONT
- ⑤ STAINLESS STEEL DRAWER
- ⑥ 16 GA. STAINLESS STEEL SLIDING DIP TRAY
- ⑦ STAINLESS STEEL SLIDING DRAWER COVER
- ⑧ STAINLESS STEEL ACTUATING HANDLE
- ⑨ SLIDING DRAWER TRACKS

- ⑩ THREE SIDED ADJUSTABLE MOUNTING FRAME
- ⑪ PERFORATED STAINLESS STEEL PANEL (SPEAKER / MIC. OPTIONAL)

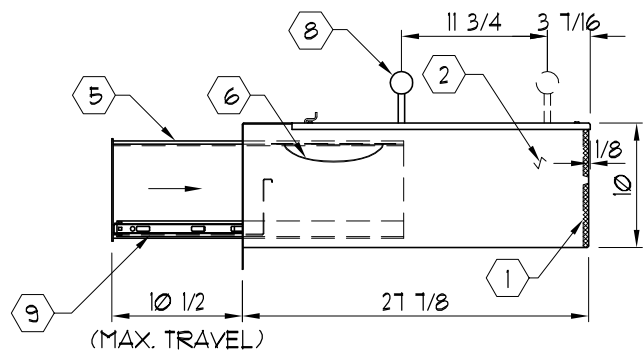
SIZE (CLEAR INSIDE)
 PACKAGE BIN 14" W. x 13" D. x 7 1/8" H.
 SLIDING DIP TRAY 13" W. x 12" D. x 1 3/4" H.



TOP VIEW
 (_ - REQUIRED)



FRONT VIEW



SIDE VIEW

C:\ARMORTEX MASTERS - 2007\TRANSACTION DRAWERS\T1016003.DWG.DWG 02/19/07 @ 10:03 User: aperez

REVISIONS			ARMORTEX® BULLET / BLAST RESISTANT PRODUCTS		BALLISTIC LEVEL	
No.	DESCRIPTION	DATE	5926 CORRIDOR PKWY SCHERTZ, TX 78154		DRN.BY:	DATE:
			TEL: 210-661-8306 800-880-8306 FAX: 210-661-8308		A. Perez	02-16-07
			PROJECT NAME:		CHKD.BY:	DATE:
			TITLE: ARMORTEX® BULLET RESISTANT TRANSACTION DRAWER MODEL 6003		DRAWING No.	SHEET
			UNLESS OTHERWISE SPECIFIED ALL DIMENSIONS ARE IN INCHES		T1016003	1 OF 1
			SCALE NONE	PROJECT No.		