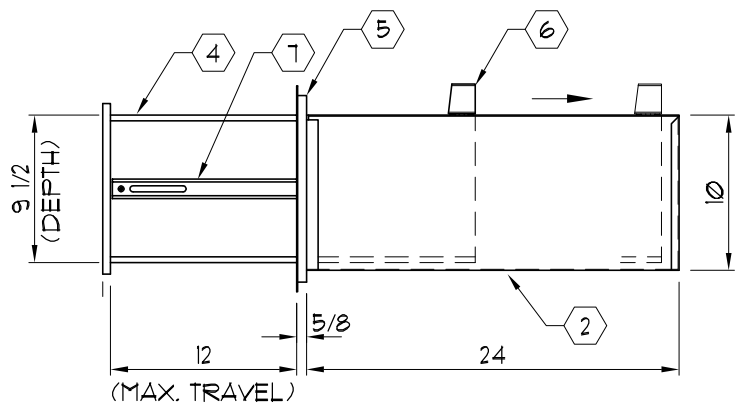
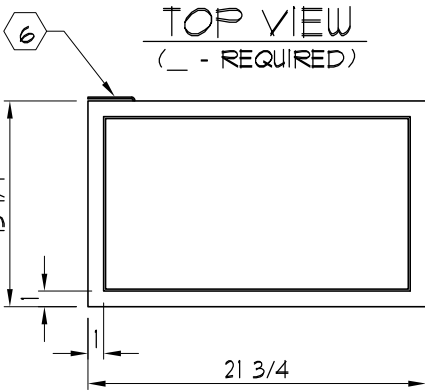
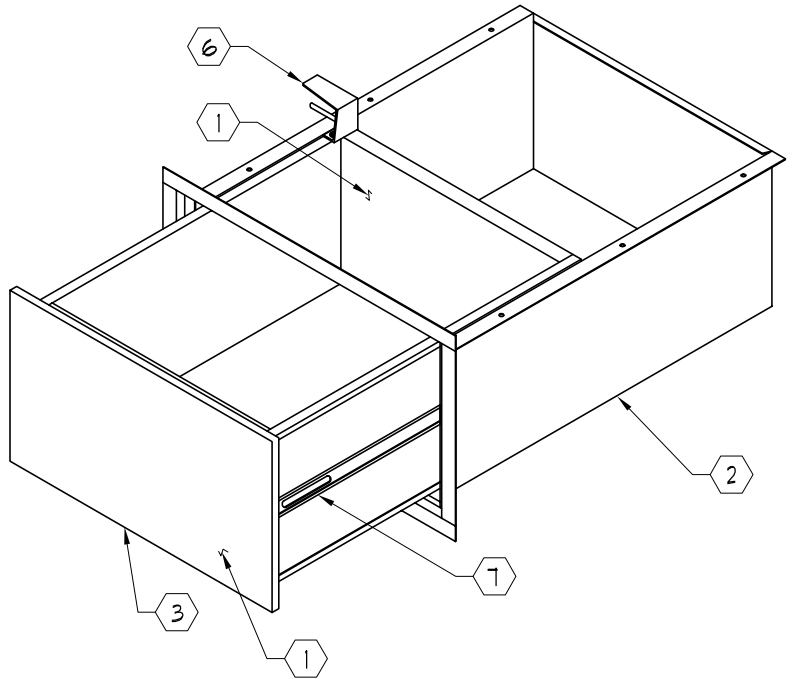
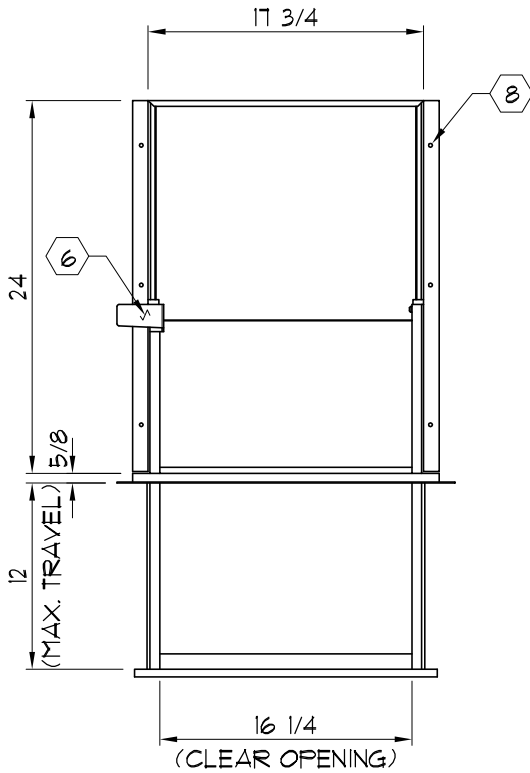


NOTES:

- ① UL LISTED ARMORTEX® BULLET RESISTANT COMPOSITES - 0F.200 (INTERNAL)
- ② 16 GA. FINISH PAINTED STEEL CASE
- ③ 16 GA. STAINLESS STEEL DRAWER FRONT
- ④ STAINLESS STEEL DRAWER
- ⑤ 16 GA. STAINLESS STEEL FLANGE FRAME
- ⑥ STAINLESS STEEL RELEASE HANDLE

- ⑦ SLIDING DRAWER TRACKS
- ⑧ 1/4" DIA. MOUNTING HOLES (SCREWS BY OTHERS)



FRONT VIEW

SIDE VIEW

C:\ARMORTEX MASTERS - 2007\TRANSACTION DRAWERS\T1016002.DWG.DWG 02/19/07 @ 10:01 User: operez

REVISIONS			<b>ARMORTEX®</b> BULLET / BLAST RESISTANT PRODUCTS 5926 CORRIDOR PKWY SCHERTZ, TX 78154 TEL: 210-661-8306 800-880-8306 FAX: 210-661-8308		BALLISTIC LEVEL 2	
No.	DESCRIPTION	DATE			DRN.BY:	DATE:
			A. Perez	02-16-07		
			CHKD.BY:	DATE:		
TITLE: ARMORTEX® BULLET RESISTANT TRANSACTION DRAWER MODEL SS10D-D			PROJECT NAME:		DRAWING No.	SHEET
UNLESS OTHERWISE SPECIFIED ALL DIMENSIONS ARE IN INCHES			SCALE NONE	PROJECT No.	T1016002	1 OF 1