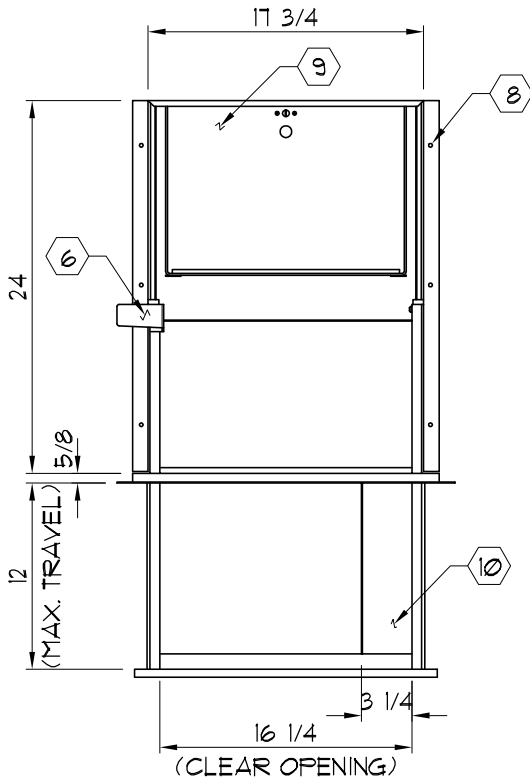
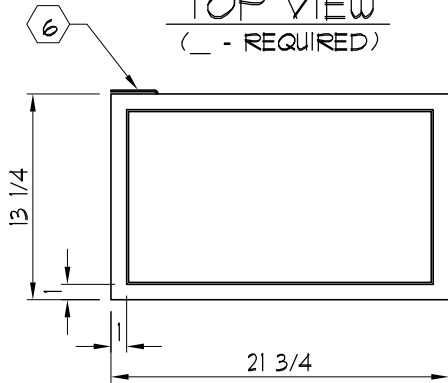


NOTES:

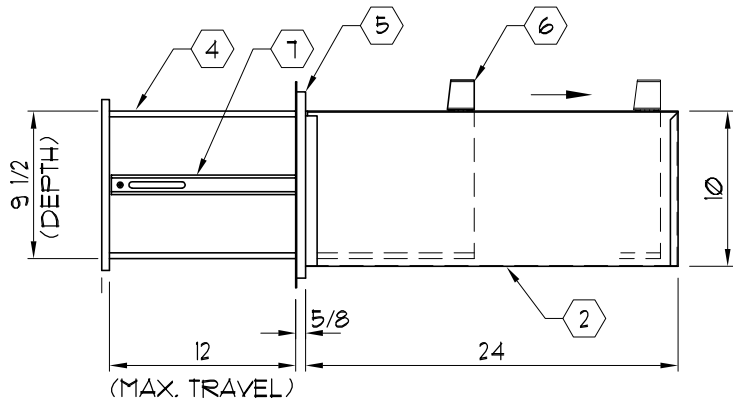
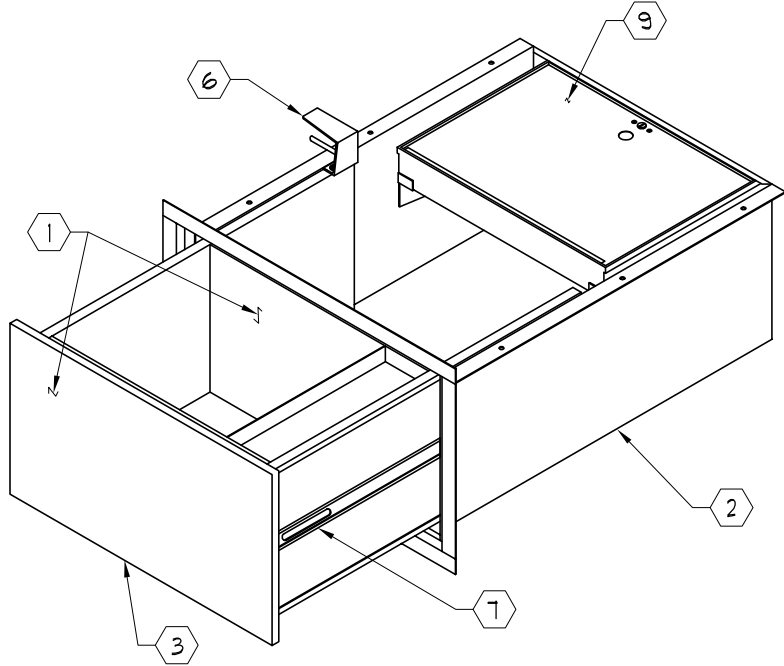
- ① UL LISTED ARMORTEX® BULLET RESISTANT COMPOSITES - 0F.200 (INTERNAL)
- ② 16 GA. FINISH PAINTED STEEL CASE
- ③ 16 GA. STAINLESS STEEL DRAWER FRONT
- ④ STAINLESS STEEL DRAWER
- ⑤ 16 GA. STAINLESS STEEL FLANGE FRAME
- ⑥ STAINLESS STEEL RELEASE HANDLE
- ⑦ SLIDING DRAWER TRACKS
- ⑧ 1/4" DIA. MOUNTING HOLES (SCREWS BY OTHERS)
- ⑨ KEY LOCKING CASH TRAY
- ⑩ 16 GA. STAINLESS STEEL TRAY



TOP VIEW
(_ - REQUIRED)



FRONT VIEW



SIDE VIEW

C:\ARMORTEX MASTERS - 2007\TRANSACTION DRAWERS\T1016001.DWG.DWG 02/19/07 @ 09:49 User: operez

REVISIONS			ARMORTEX® BULLET / BLAST RESISTANT PRODUCTS		BALLISTIC LEVEL 2	
No.	DESCRIPTION	DATE	5926 CORRIDOR PKWY SCHERTZ, TX 78154		DRN.BY:	DATE:
			TEL: 210-661-8306 800-880-8306 FAX: 210-661-8308		A. Perez	02-16-07
			TITLE:	PROJECT NAME:		
			ARMORTEX® BULLET RESISTANT TRANSACTION DRAWER MODEL SS10D		CHKD.BY:	DATE:
			UNLESS OTHERWISE SPECIFIED ALL DIMENSIONS ARE IN INCHES		DRAWING No.	SHEET
			SCALE	PROJECT No.	T1016001	1 OF 1
			NONE			