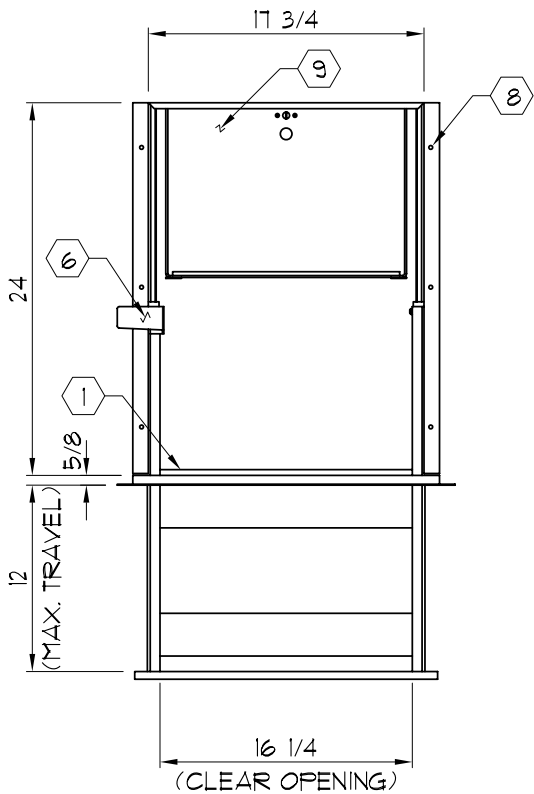


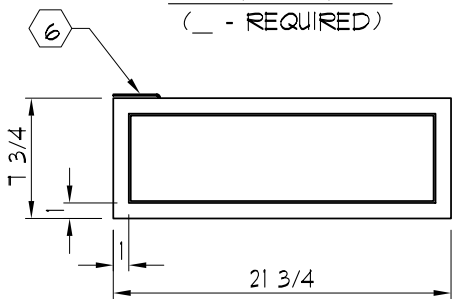
NOTES:

- ① UL LISTED ARMORTEX® BULLET RESISTANT COMPOSITES - O.F.300 (INTERNAL)
- ② 16 GA. FINISH PAINTED STEEL CASE
- ③ 20 GA. STAINLESS STEEL DRAWER FRONT
- ④ STAINLESS STEEL DRAWER
- ⑤ 16 GA. STAINLESS STEEL FLANGE FRAME
- ⑥ STAINLESS STEEL RELEASE HANDLE

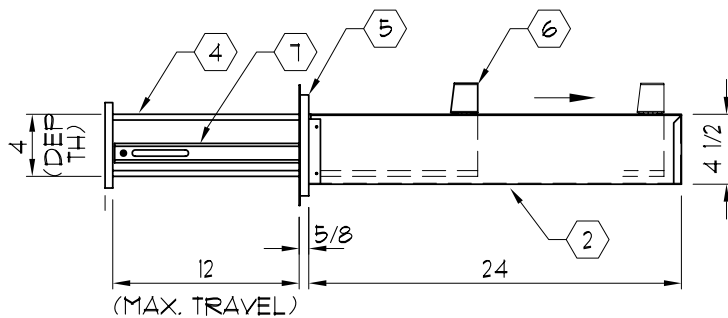
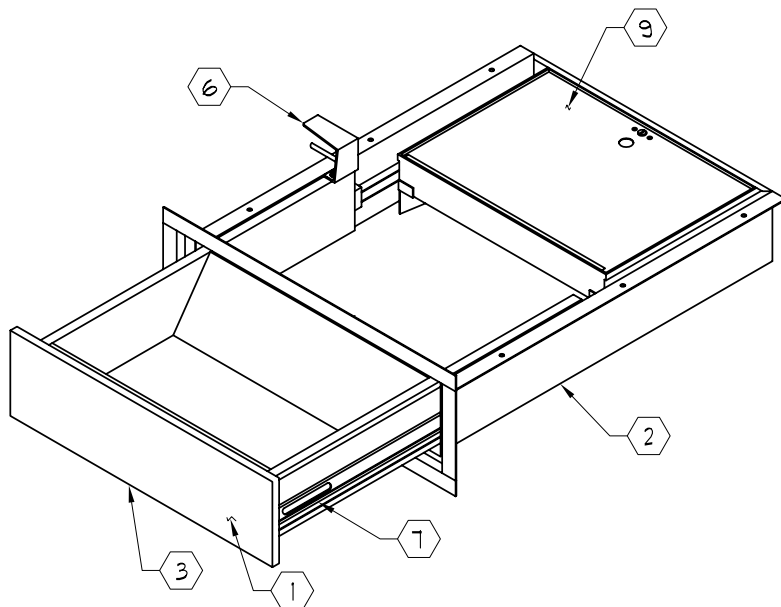
- ⑦ SLIDING DRAWER TRACKS
- ⑧ 1/4" DIA. MOUNTING HOLES (SCREWS BY OTHERS)
- ⑨ KEY LOCKING CASH TRAY



TOP VIEW
(_ - REQUIRED)



FRONT VIEW



SIDE VIEW

C:\ARMORTEX MASTERS - 2007\TRANSACTION DRAWERS\T1016000.DWG.DWG 02/19/07 @ 10:12 User: aperez

REVISIONS			ARMORTEX® BULLET / BLAST RESISTANT PRODUCTS 5926 CORRIDOR PKWY SCHERTZ, TX 78154 TEL: 210-661-8306 800-880-8306 FAX: 210-661-8308		BALLISTIC LEVEL 3	
No.	DESCRIPTION	DATE			DRN.BY:	DATE:
			B. LEWIS	00-00-00		
			CHKD.BY:	DATE:		
TITLE: ARMORTEX® BULLET RESISTANT TRANSACTION DRAWER MODEL SS4D UNLESS OTHERWISE SPECIFIED ALL DIMENSIONS ARE IN INCHES			PROJECT NAME:		DRAWING No.	SHEET
			SCALE	PROJECT No.	T1016000	1 OF 1