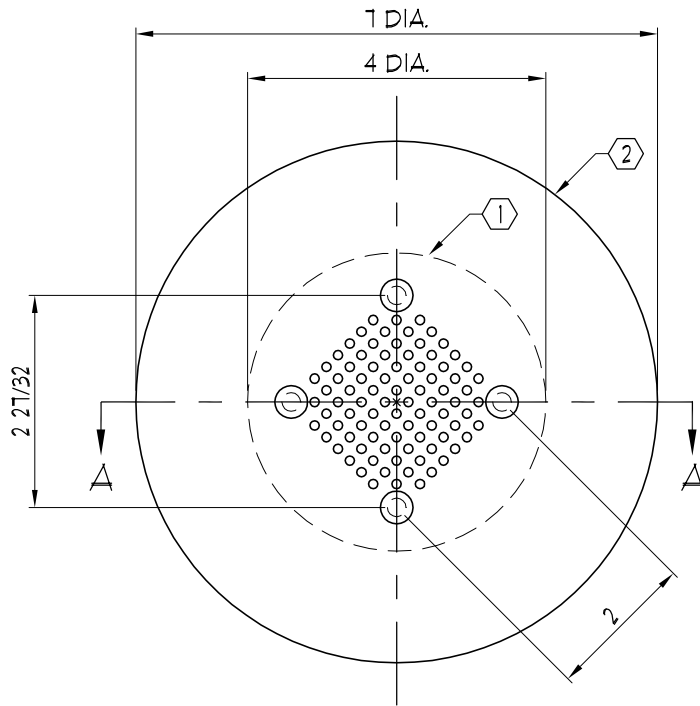
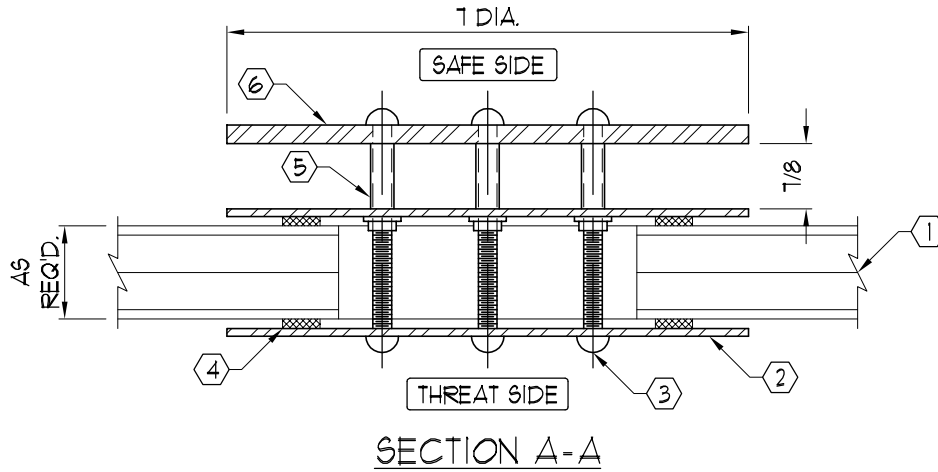


NOTES:

- ① UL LISTED BULLET RESISTANT GLAZING WITH A 4" TO 6" HOLE
- ② 12 GA. STAINLESS STEEL SPEAKER
- ③ 1/4" DIA. STAINLESS STEEL SCREWS
- ④ TREMCO-440 GLAZING TAPE (BY OTHERS)
- ⑤ SPACER NUTS
- ⑥ ARMORTEX® HI-HARD LEVEL 4 BALLISTIC STEEL (PRIME PAINTED)



ELEVATION
(_ - REQUIRED)

C:\ARMORTEX MASTERS - 2007\SPEAKERS\S1014005.DWG.DWG 02/20/07 @ 09:36 User: aperez

REVISIONS			ARMORTEX® BULLET / BLAST RESISTANT PRODUCTS		BALLISTIC LEVEL 4	
No.	DESCRIPTION	DATE	5926 CORRIDOR PKWY SCHERTZ, TX 78154		DRN.BY:	DATE:
			TEL: 210-661-8306 800-880-8306 FAX: 210-661-8308		A. Perez	02-16-07
			TITLE: ARMORTEX® BULLET RESISTANT SPEAKER MODEL SSBRS-7		CHKD.BY:	DATE:
			UNLESS OTHERWISE SPECIFIED ALL DIMENSIONS ARE IN INCHES		DRAWING No.	SHEET
			SCALE: NONE	PROJECT No.	S1014005	1 OF 1