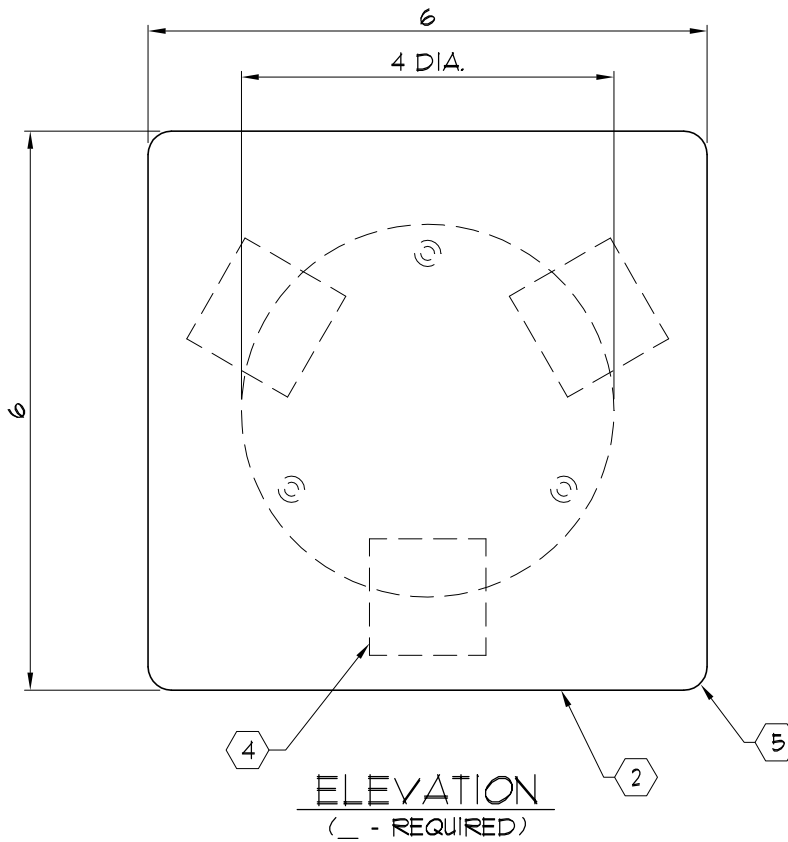
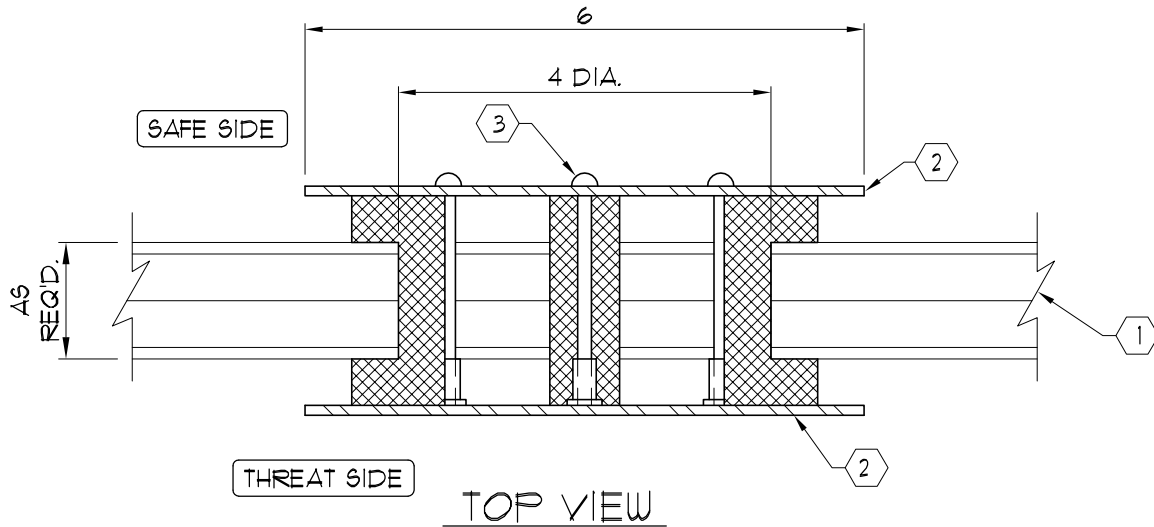


NOTES:

- ① UL LISTED BULLET RESISTANT GLAZING WITH 4" DIA. HOLE
- ② 12 GA. #3 BRUSHED STAINLESS STEEL EXTERNAL PLATE

- ③ 1/4" DIA. SECURITY SCREWS
- ④ NEOPRENE SPACERS
- ⑤ 1/4" RADIUS TYP. FOR ALL CORNERS



C:\ARMORTEX MASTERS - 2007\SPEAKERS\S1014004.DWG.DWG 02/20/07 @ 09:34 User: operez

REVISIONS			ARMORTEX ® BULLET / BLAST RESISTANT PRODUCTS 5926 CORRIDOR PKWY SCHERTZ, TX 78154 TEL: 210-661-8306 800-880-8306 FAX: 210-661-8308		BALLISTIC LEVEL 3	
No.	DESCRIPTION	DATE			DRN.BY:	DATE:
			A. Perez	02-16-07		
			CHKD.BY:	DATE:		
			DRAWING No.	SHEET		
			S1014004	1 OF 1		
TITLE:			PROJECT NAME:	SCALE	PROJECT No.	
ARMORTEX® BULLET RESISTANT SPEAKER MODEL SQ-BRS-6				NONE		
UNLESS OTHERWISE SPECIFIED ALL DIMENSIONS ARE IN INCHES						