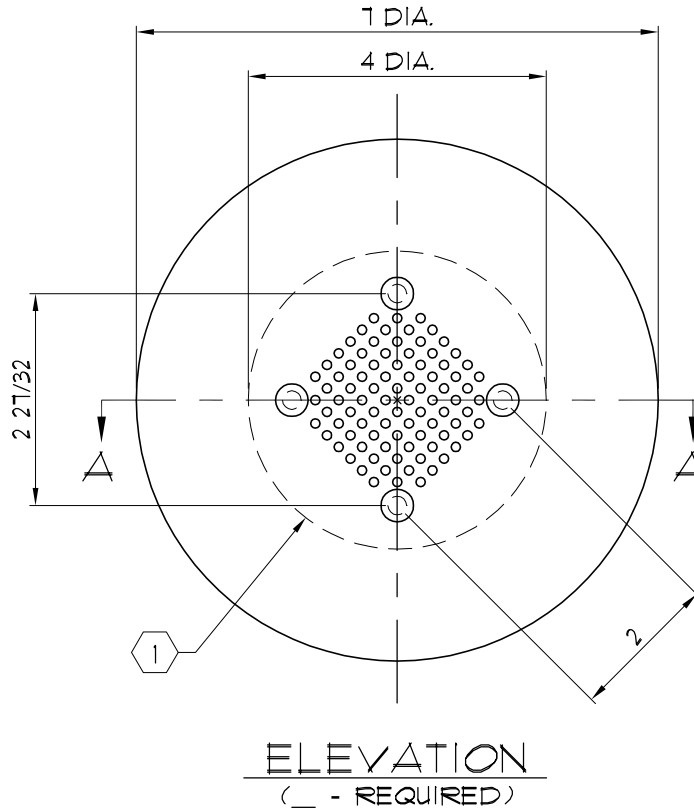
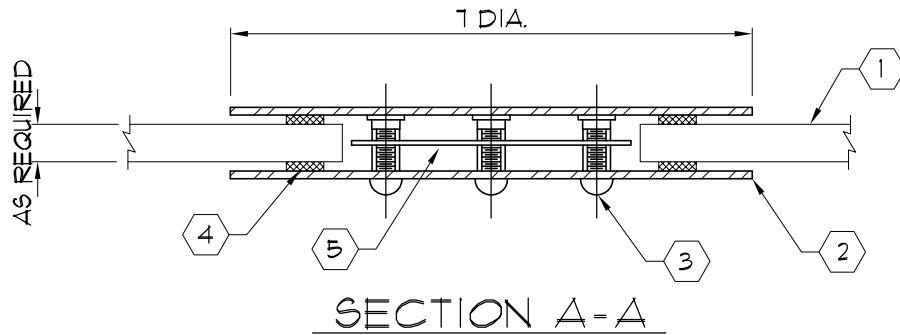


NOTES:

- ① HOLE IN GLAZING TO BE 4" TO 6"
- ② 12 GA. #3 BRUSHED STAINLESS STEEL EXTERNAL DISCS
- ③ 1/4" DIA. TAMPER PROOF SCREWS
- ④ TREMCO-440 GLAZING TAPE (BY OTHERS)
- ⑤ CONTRABAND BAFFLE



UNIVERSAL DESIGN ALLOWS FOR INSTALLATION IN GLAZING WITH A THICKNESS OF 3/8" OR GREATER AND HOLE DIAMETERS BETWEEN 4" TO 6" GLAZING WITH TREMCO-440 OR EQUAL (BY OTHERS)

C:\ARMORTEX MASTERS - 2007\SPEAKERS\S1014001.DWG.DWG 02/20/07 @ 09:11 User: operez

REVISIONS			ARMORTEX ® BULLET / BLAST RESISTANT PRODUCTS		SECURITY	
No.	DESCRIPTION	DATE	5926 CORRIDOR PKWY SCHERTZ, TX 78154		DRN.BY:	DATE:
			TEL: 210-661-8306 800-880-8306 FAX: 210-661-8308		A. Perez	02-16-07
			TITLE: ARMORTEX® UNIVERSAL SECURITY SPEAKER MODEL SSS-7D		CHKD.BY:	DATE:
			UNLESS OTHERWISE SPECIFIED ALL DIMENSIONS ARE IN INCHES		DRAWING No.	SHEET
			SCALE: NONE	PROJECT No.	S1014001	1 OF 1