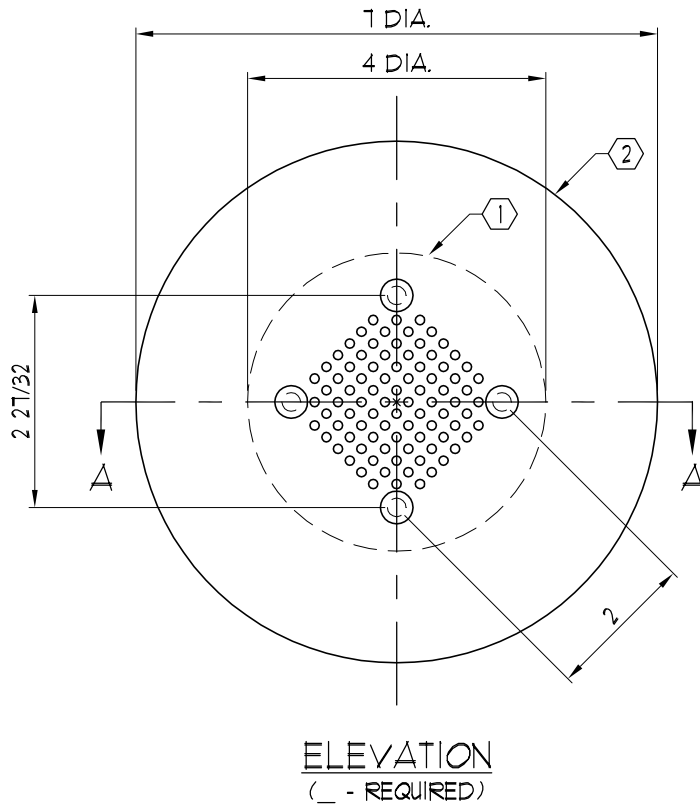
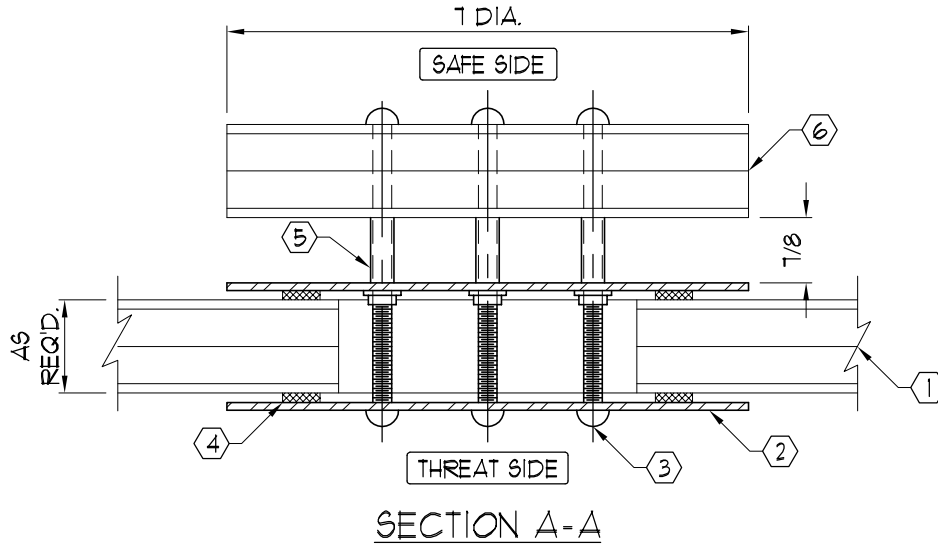


NOTES:

- ① UL LISTED BULLET RESISTANT GLAZING WITH A 4" TO 6" HOLE
- ② 12 GA. STAINLESS STEEL SPEAKER
- ③ 1/4" DIA. STAINLESS STEEL SCREWS
- ④ TREMCO-440 GLAZING TAPE (BY OTHERS)
- ⑤ SPACER NUTS
- ⑥ UL LISTED LEVEL 3 ARMORTEX® BULLET RESISTANT POLYCARBONATE - TP 300



C:\ARMORTEX MASTERS - 2007\SPKERS\S1014000.DWG.DWG 02/20/07 @ 08:49 User: aperez

REVISIONS			<b>ARMORTEX®</b> BULLET / BLAST RESISTANT PRODUCTS		BALLISTIC LEVEL 3	
No.	DESCRIPTION	DATE	5926 CORRIDOR PKWY SCHERTZ, TX 78154		DRN.BY:	DATE:
			TEL: 210-661-8306 800-880-8306 FAX: 210-661-8308		A. Perez	02-16-07
			TITLE: ARMORTEX® BULLET RESISTANT SPEAKER MODEL SSBRS-7		CHKD.BY: DATE:	
			UNLESS OTHERWISE SPECIFIED ALL DIMENSIONS ARE IN INCHES		SCALE: NONE	PROJECT No.:
					DRAWING No. S1014000	SHEET 1 OF 1