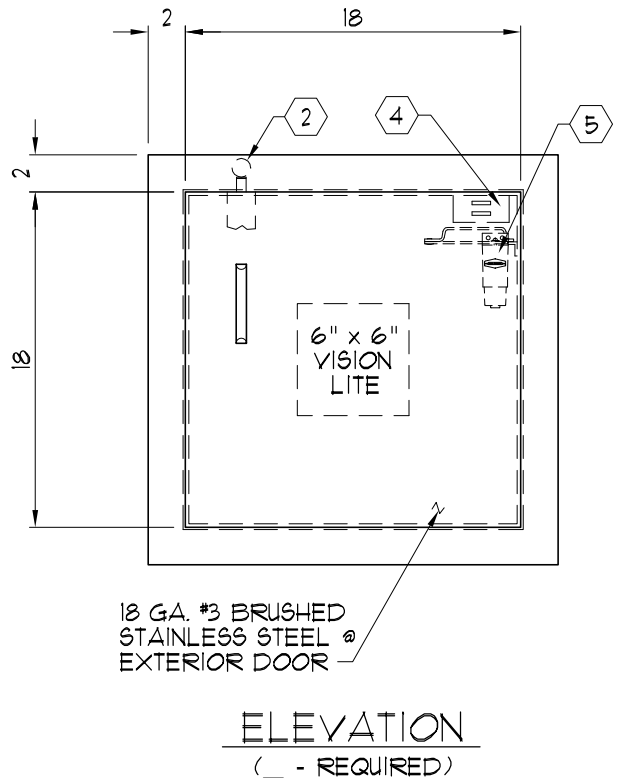
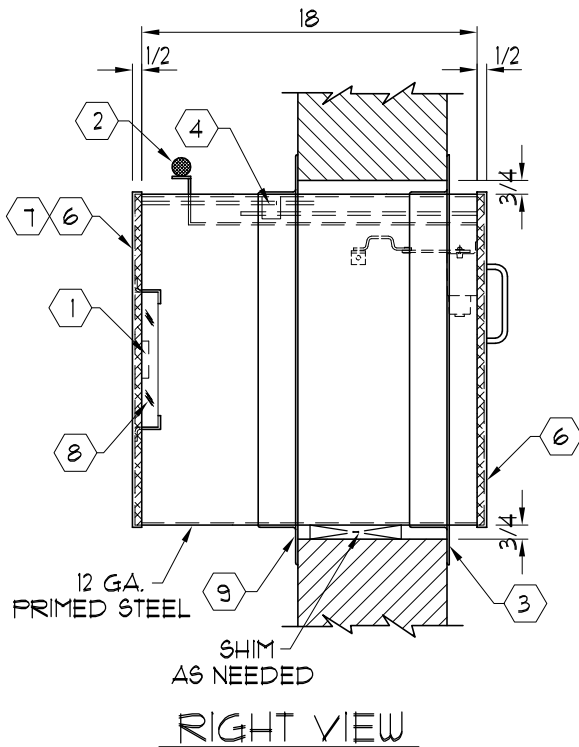
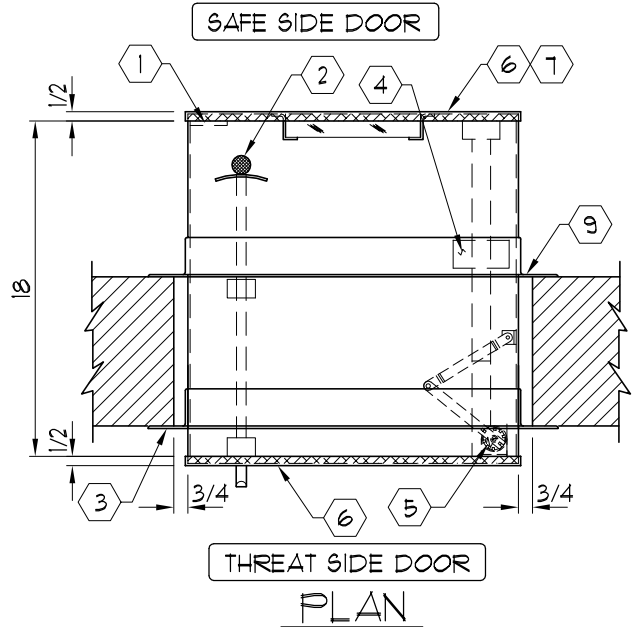


NOTES:

- ① PADDLE LATCH WITH KEY LOCK
- ② OUTSIDE DOOR RELEASE HANDLE
- ③ MOUNTING FLANGE (SHOP WELDED)
- ④ DOOR INTERLOCK SYSTEM
- ⑤ AUTOMATIC DOOR CLOSER
- ⑥ UL LISTED ARMORTEX® BULLET RESISTANT COMPOSITES IN DOORS
- ⑦ 16 GA. PRIME PAINTED STEEL DOOR (STAINLESS STEEL OPTIONAL)
- ⑧ UL LISTED ARMORTEX® BULLET RESISTANT 1 1/4" POLYCARBONATE TP 300 VISION PANEL
- ⑨ TWO PIECE 12 GA. ADJUSTABLE MOUNTING FLANGE (SHIPPED LOOSE)



C:\ARMORTEX MASTERS - 2007\PACKAGE RECEIVER\P1013007.DWG.DWG 02/15/07 @ 16:22 User: aperez

REVISIONS			ARMORTEX® BULLET / BLAST RESISTANT PRODUCTS 5926 CORRIDOR PKWY SCHERTZ, TX 78154 TEL: 210-661-8306 800-880-8306 FAX: 210-661-8308		BALLISTIC LEVEL	
No.	DESCRIPTION	DATE			DRN.BY:	DATE:
			A. Perez	02-16-07		
			CHKD.BY:	DATE:		
			DRAWING No.	SHEET		
			P1013007	1 OF 1		
			TITLE: ARMORTEX® BULLET RESISTANT PACKAGE RECEIVER WITH VISION PANEL SSPRV-1818	PROJECT NAME:		
			UNLESS OTHERWISE SPECIFIED ALL DIMENSIONS ARE IN INCHES	SCALE: NONE	PROJECT No.:	