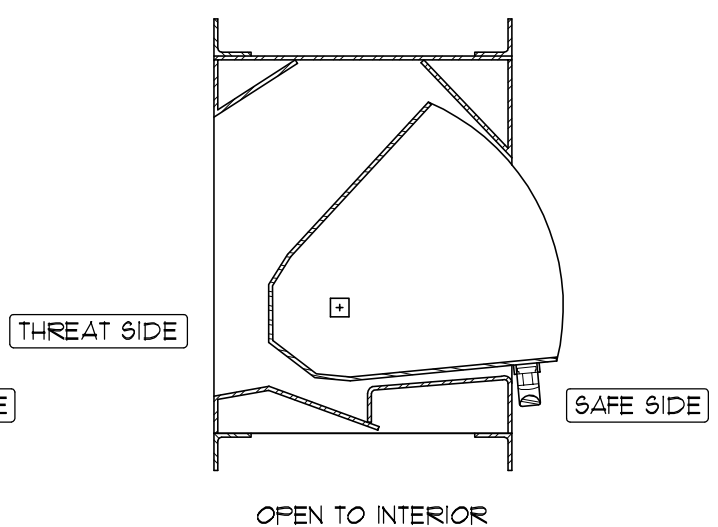
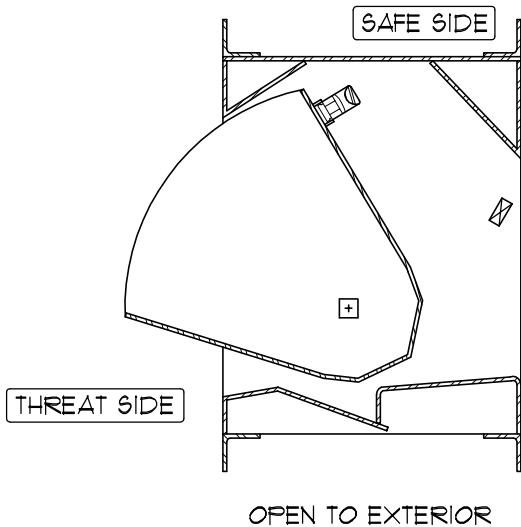
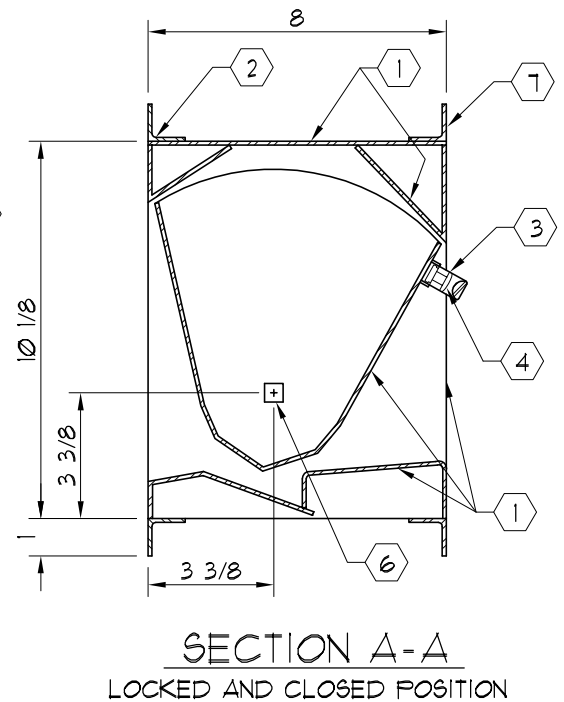
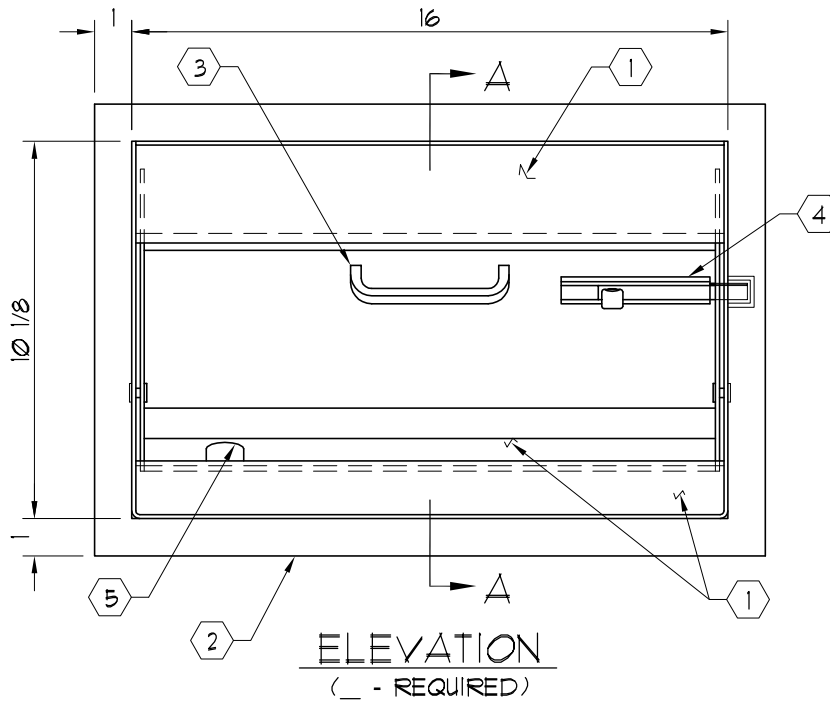


NOTES:

- ① 12 GA. STAINLESS STEEL PLATE
- ② 16 GA. STAINLESS STEEL FLANGES
- ③ HANDLE
- ④ LATCH (SAFE SIDE ONLY)
- ⑤ BUMPERS
- ⑥ PIVOT BOLT
- ⑦ 16 GA. STAINLESS STEEL LOOSE ADJUSTABLE FLANGES FOR FIELD INSTALLATION



C:\ARMORTEX MASTERS - 2007\PACKAGE RECEIVER\P1013004.DWG.DWG 02/15/07 @ 16:14 User: aperez

REVISIONS			<b>ARMORTEX</b> ® BULLET / BLAST RESISTANT PRODUCTS 5926 CORRIDOR PKWY SCHERTZ, TX 78154 TEL: 210-661-8306 800-880-8306 FAX: 210-661-8308		BALLISTIC LEVEL	
No.	DESCRIPTION	DATE			DRN.BY:	DATE:
			A. Perez	02-16-07		
			CHKD.BY:	DATE:		
			DRAWING No.	SHEET		
			P1013004	1 OF 1		
TITLE: ARMORTEX® BULLET RESISTANT PIVOT HOPPER			PROJECT NAME:	SCALE: NONE	PROJECT No.:	
UNLESS OTHERWISE SPECIFIED ALL DIMENSIONS ARE IN INCHES						