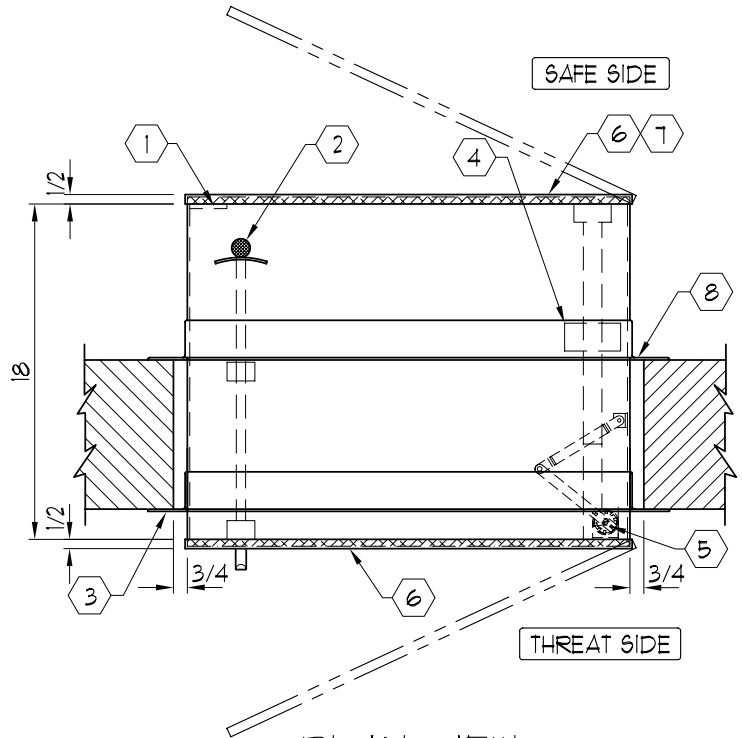
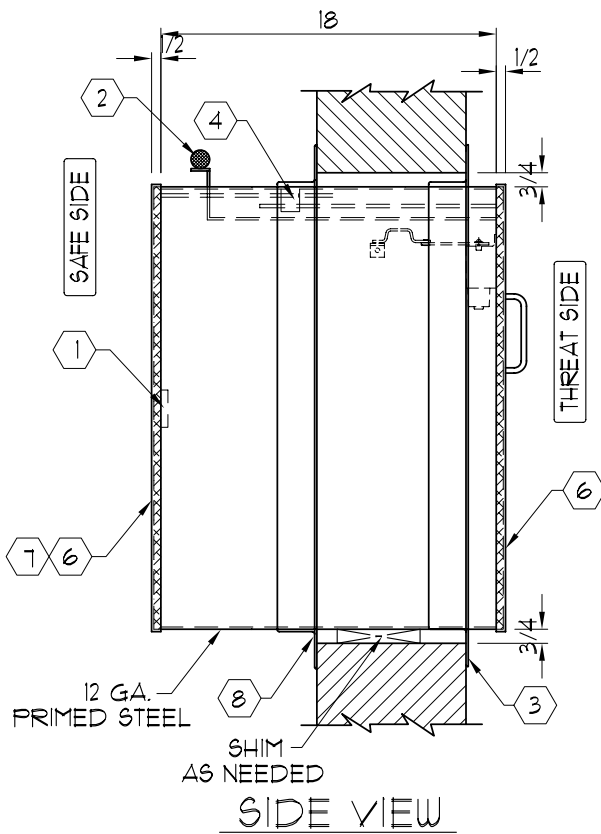


NOTES:

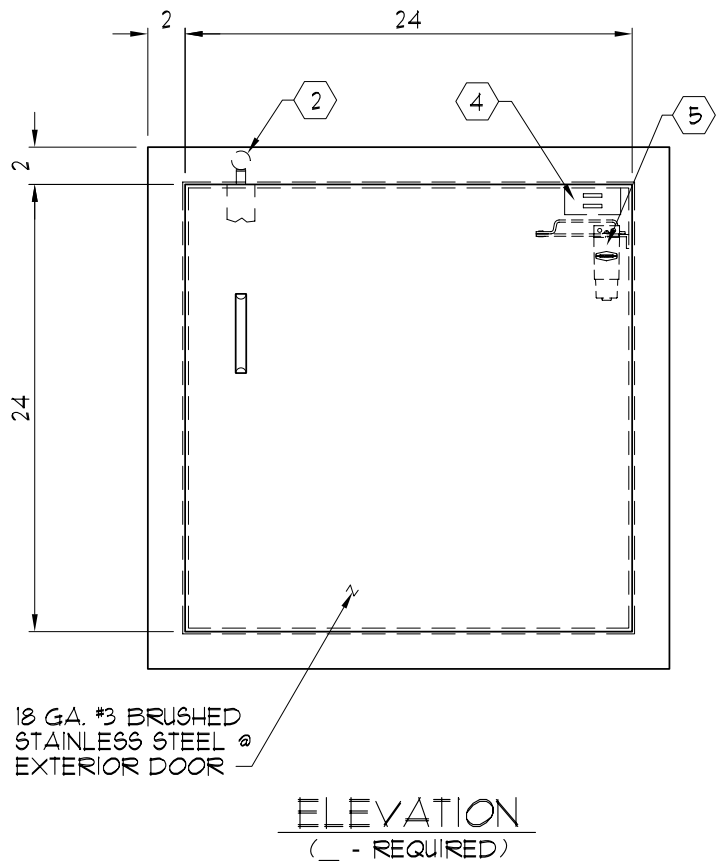
- ① PADDLE LATCH WITH KEYLOCK
- ② OUTSIDE DOOR RELEASE HANDLE
- ③ MOUNTING FLANGE (SHOP WELDED)
- ④ DOOR INTERLOCK SYSTEM
- ⑤ AUTOMATIC DOOR CLOSER
- ⑥ UL LISTED LEVEL 2 ARMORTEX® BULLET RESISTANT COMPOSITES IN DOORS
- ⑦ 16 GA. PRIME PAINTED STEEL DOOR (STAINLESS STEEL OPTIONAL)
- ⑧ TWO PIECE 12 GA. ADJUSTABLE MOUNTING FLANGE (SHIPPED LOOSE)



PLAN VIEW



SIDE VIEW



ELEVATION  
(\_ - REQUIRED)

C:\ARMORTEX MASTERS - 2007\PACKAGE RECEIVER\P1013001.DWG.DWG 02/15/07 @ 15:49 User: aperez

REVISIONS			ARMORTEX® BULLET / BLAST RESISTANT PRODUCTS		BALLISTIC LEVEL 2	
No.	DESCRIPTION	DATE	5926 CORRIDOR PKWY SCHERTZ, TX 78154		DRN.BY:	DATE:
			TEL: 210-661-8306 800-880-8306 FAX: 210-661-8308		B. LEWIS	02-18-08
			TITLE:	PROJECT NAME:	CHKD.BY:	DATE:
			ARMORTEX® BULLET RESISTANT PACKAGE RECEIVER SSPR-2424			
			UNLESS OTHERWISE SPECIFIED ALL DIMENSIONS ARE IN INCHES	SCALE: NONE	PROJECT No.	DRAWING No. P1013001 SHEET 1 OF 1