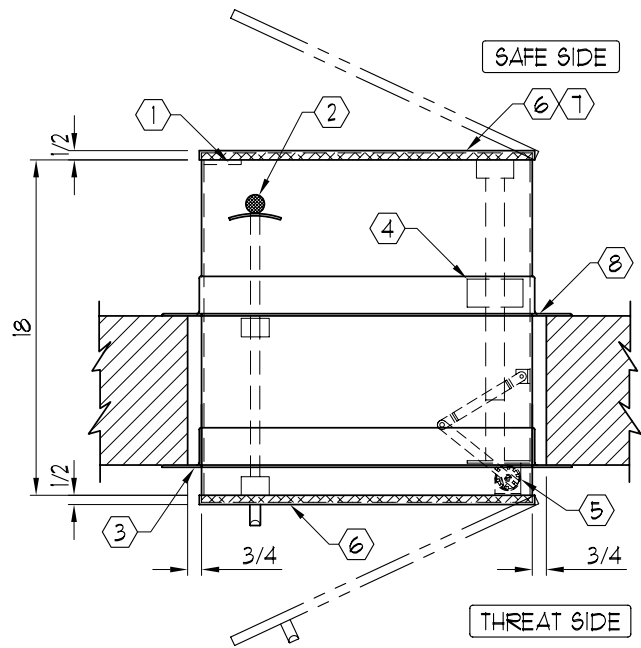
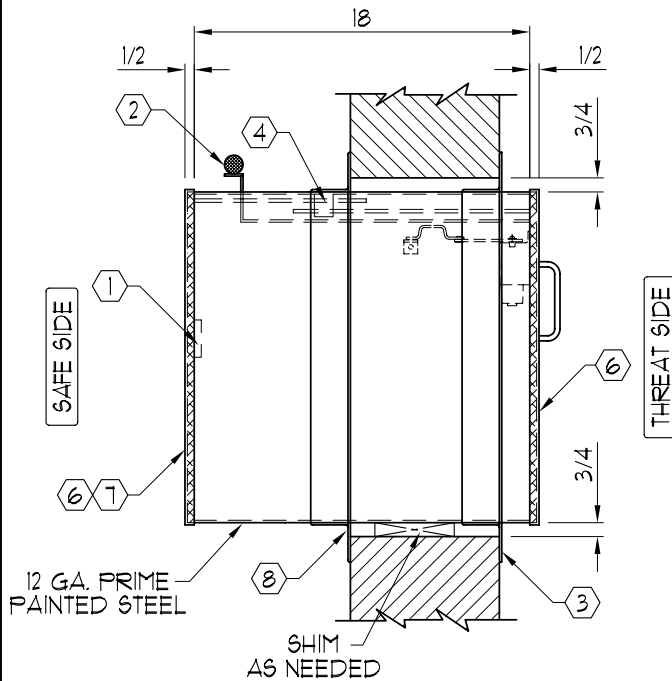


NOTES:

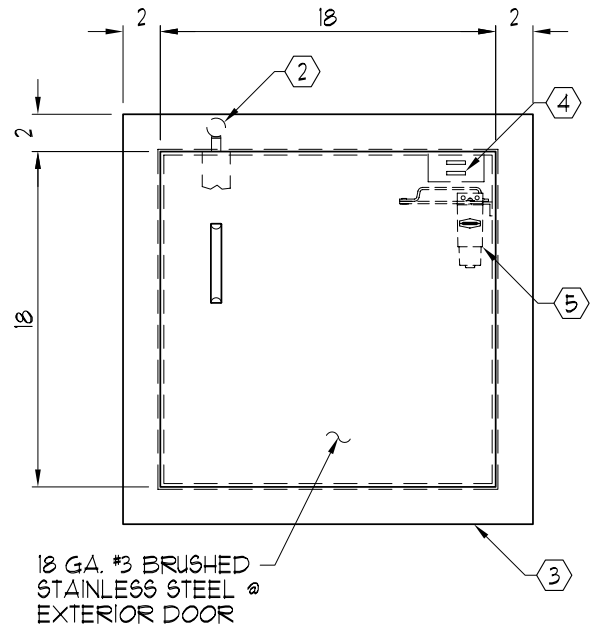
- ① PADDLE LATCH WITH KEYLOCK
- ② OUTSIDE DOOR RELEASE HANDLE
- ③ MOUNTING FLANGE (SHOP WELDED)
- ④ DOOR INTERLOCK SYSTEM
- ⑤ AUTOMATIC DOOR CLOSER
- ⑥ UL LISTED LEVEL 2 ARMORTEX® BULLET RESISTANT COMPOSITES (OF. 200) IN DOORS
- ⑦ 16 GA. PRIME PAINTED STEEL DOOR (STAINLESS STEEL OPTIONAL)
- ⑧ TWO PIECE 12 GA. ADJUSTABLE MOUNTING FLANGE (SHIPPED LOOSE)



PLAN VIEW



SIDE VIEW



ELEVATION  
( \_ - REQUIRED)

C:\ARMORTEX MASTERS - 2007\PACKAGE RECEIVER\P1013000.DWG 02/15/07 @ 15:39 User: aperez

REVISIONS			<b>ARMORTEX®</b> BULLET / BLAST RESISTANT PRODUCTS 5926 CORRIDOR PKWY SCHERTZ, TX 78154 TEL: 210-661-8306 800-880-8306 FAX: 210-661-8308		BALLISTIC LEVEL 2	
No.	DESCRIPTION	DATE			DRN. BY:	DATE:
			A. Perez	02-16-07		
			CHKD. BY:	DATE:		
			DRAWING No.	SHEET		
			P1013000	1 OF 1		
TITLE:			PROJECT NAME:	SCALE:	PROJECT No.:	
ARMORTEX® BULLET RESISTANT PACKAGE RECEIVER SSPR-1818				NONE		
UNLESS OTHERWISE SPECIFIED ALL DIMENSIONS ARE IN INCHES						