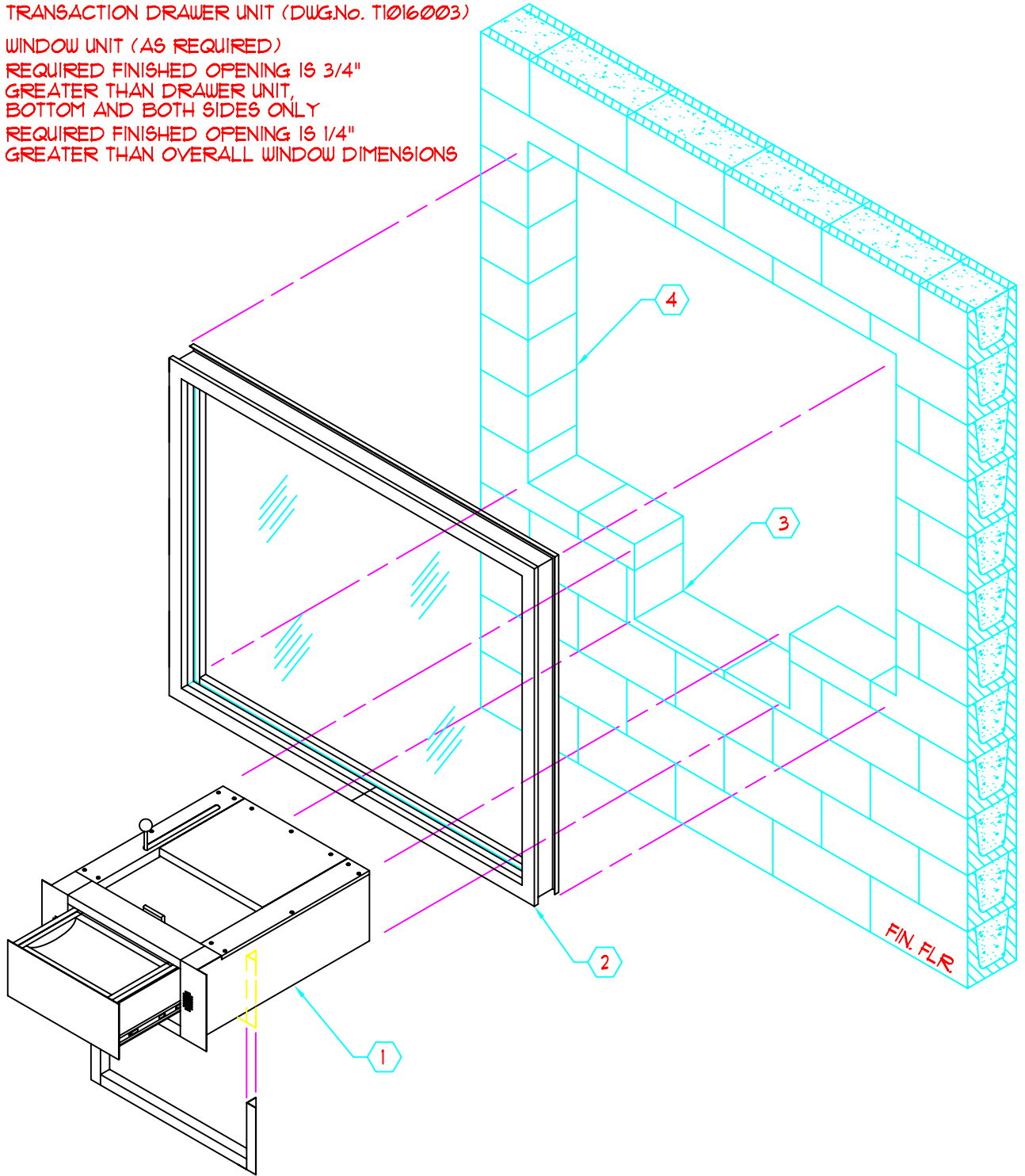


**NOTES:**

- ① TRANSACTION DRAWER UNIT (DWG.No. T1016003)
- ② WINDOW UNIT (AS REQUIRED)
- ③ REQUIRED FINISHED OPENING IS 3/4" GREATER THAN DRAWER UNIT, BOTTOM AND BOTH SIDES ONLY
- ④ REQUIRED FINISHED OPENING IS 1/4" GREATER THAN OVERALL WINDOW DIMENSIONS



C:\MASTERS\ARMORTEX\INSTALL\INST9523.DWG.DWG 04/29/08 @ 15:32 User: ImcLaughlin

REVISIONS			<b>ARMORTEX</b> ® BULLET / BLAST RESISTANT PRODUCTS 5926 CORRIDOR PKWY SCHERTZ, TX 78154 TEL: 210-661-8306 800-880-8306 FAX: 210-661-8308		BALLISTIC LEVEL	
No.	DESCRIPTION	DATE			DRN.BY:	DATE:
			A. Perez	03-14-03		
			CHKD.BY:	DATE:		
			DRAWING No.	SHEET		
			INST9523	1 OF 1		
TITLE:			PROJECT NAME:			
ARMORTEX • BULLET RESISTANT TRANSCAT. & WINDOW INSTALLATION DWG.			SCALE	PROJECT No.		
UNLESS OTHERWISE SPECIFIED ALL DIMENSIONS ARE IN INCHES			NONE			