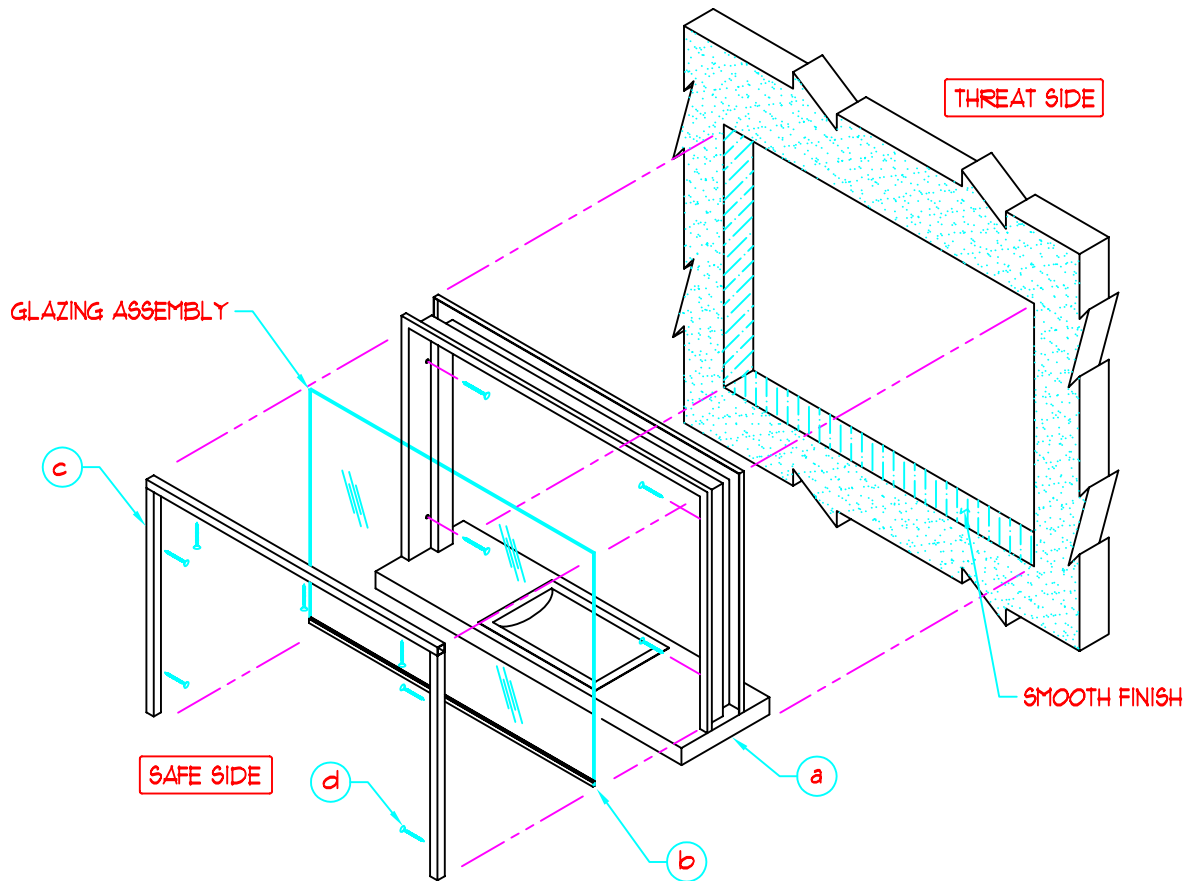


BUTT INSTALLATION IN FINISHED OPENING PROCEDURES:

- ① PROVIDE A FINISHED OPENING IN WALL. ADD 1/4" TO OVERALL HORIZONTAL DIM. AND ADD 1/8" TO OVERALL VERTICAL DIM. FOR CLEARANCE REQUIREMENT.
- ② INSTALL TRANSACTION WINDOW UNIT "a" INTO OPENING AND ANCHOR IT ONTO PLACE
- ③ INSTALL GLAZING TAPE AND BOTTOM GLAZING CAP "b" ONTO GLAZING
- ④ CAREFULLY SET GLAZING ASSEMBLY INTO FRAME
- ⑤ INSTALL REMOVABLE STOP "c" AND SCREW "d" INTO FRAME.



THREE SIDED HOLLOW METAL TRANSACTION WINDOW INSTALLATION
(FIXED GLAZING)

C:\2MASTERS\ARMORTEX\INSTALL\INST9504.DWG.DWG 04/29/08 @ 15:13 User: Imclaughlin

REVISIONS			ARMORTEX ® BULLET / BLAST RESISTANT PRODUCTS 5926 CORRIDOR PKWY SCHERTZ, TX 78154 TEL: 210-661-8306 800-880-8306 FAX: 210-661-8308		BALLISTIC LEVEL	
No.	DESCRIPTION	DATE			DRN.BY:	DATE:
			A. Perez	03-14-03		
			CHKD.BY:	DATE:		
			DRAWING No.	SHEET		
			INST9504	1 OF 1		
TITLE: ARMORTEX® BULLET RESISTANT TRANSACTION WINDOW INSTALLATION			PROJECT NAME:	SCALE	PROJECT No.	
UNLESS OTHERWISE SPECIFIED ALL DIMENSIONS ARE IN INCHES				NONE		