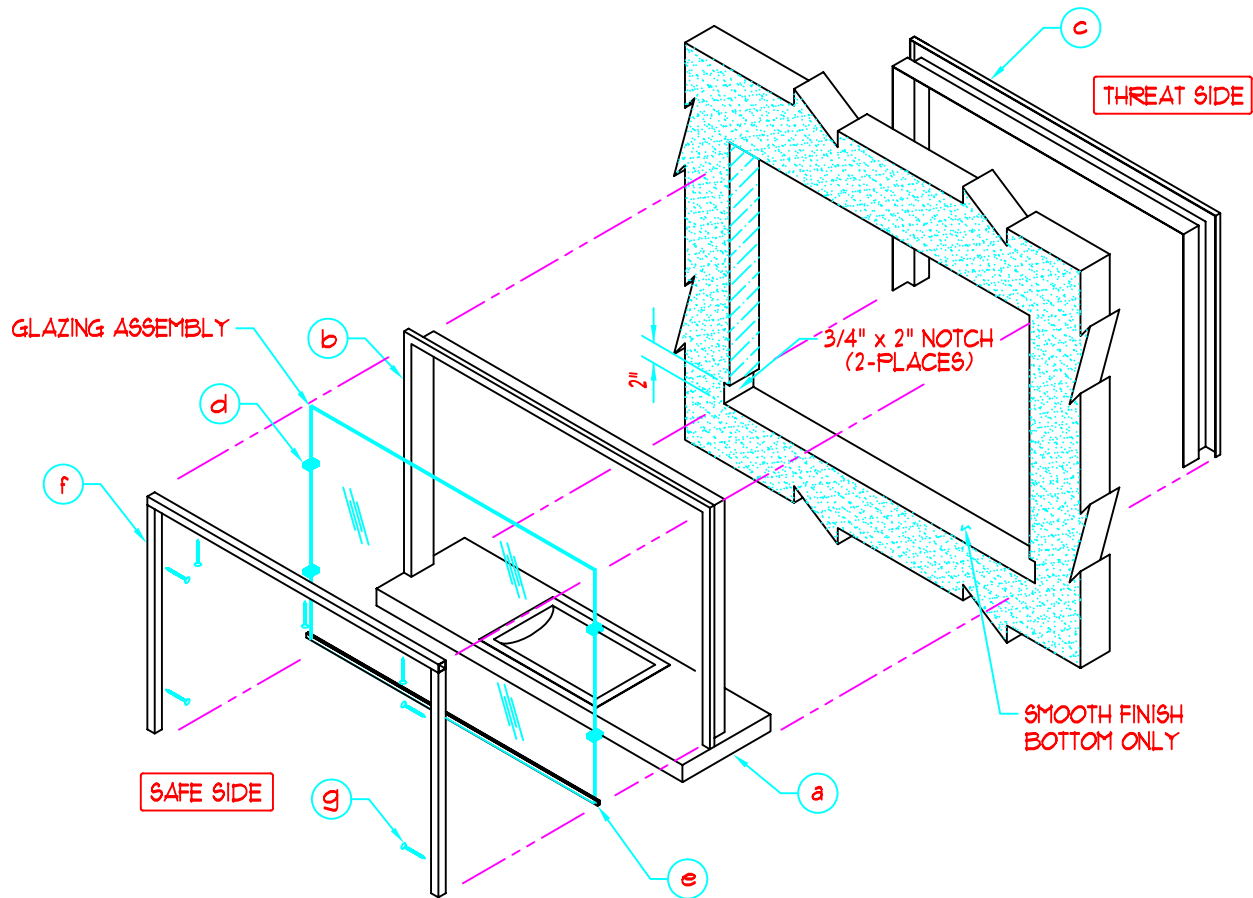


INSTALLATION PROCEDURES

- ① PROVIDE A FINISHED OPENING IN THE WALL WITH SUFFICIENT CLEARANCE TO ACCEPT THE TRANSACTION WINDOW
- ② INSTALL SHELF "a" AND FRAME "b" INTO STRUCTURE
- ③ INSTALL FRAME "c" AND SECURE THROUGH FRAME "b" TO STRUCTURE (ANCHORS, BY OTHERS)
- ④ INSTALL NATURAL VOICE SPACER "d" AND BOTTOM GLAZING CAP "e" ONTO GLAZING
- ⑤ CAREFULLY SLIDE GLAZING ASSEMBLY INTO FRAME
- ⑥ MARK AND DRILL HOLES (#10 BIT) AS REQUIRED TO ACCOMODATE REMOVABLE STOP "f", INSTALL SCREW "g" INTO FRAME.



SPLIT THREE SIDED HOLLOW METAL TRANSACTION WINDOW INSTALLATION  
(NATURAL VOICE)

C:\2MASTERS\ARMORTEX\INSTALL\INST9503.DWG.DWG 04/29/08 @ 15:07 User: Imclaughlin

REVISIONS			ARMORTEX <sup>®</sup> BULLET / BLAST RESISTANT PRODUCTS		BALLISTIC LEVEL	
No.	DESCRIPTION	DATE	5926 CORRIDOR PKWY SCHERTZ, TX 78154		DRN.BY:	DATE:
			TEL: 210-661-8306 800-880-8306 FAX: 210-661-8308		A. Perez	03-14-03
			TITLE:	PROJECT NAME:	CHKD.BY:	DATE:
			ARMORTEX • BULLET RESISTANT TRANSACTION WINDOW INSTALLATION			
			UNLESS OTHERWISE SPECIFIED ALL DIMENSIONS ARE IN INCHES	SCALE	PROJECT No.	DRAWING No.
				NONE		INST9503
						SHEET
						1 OF 1