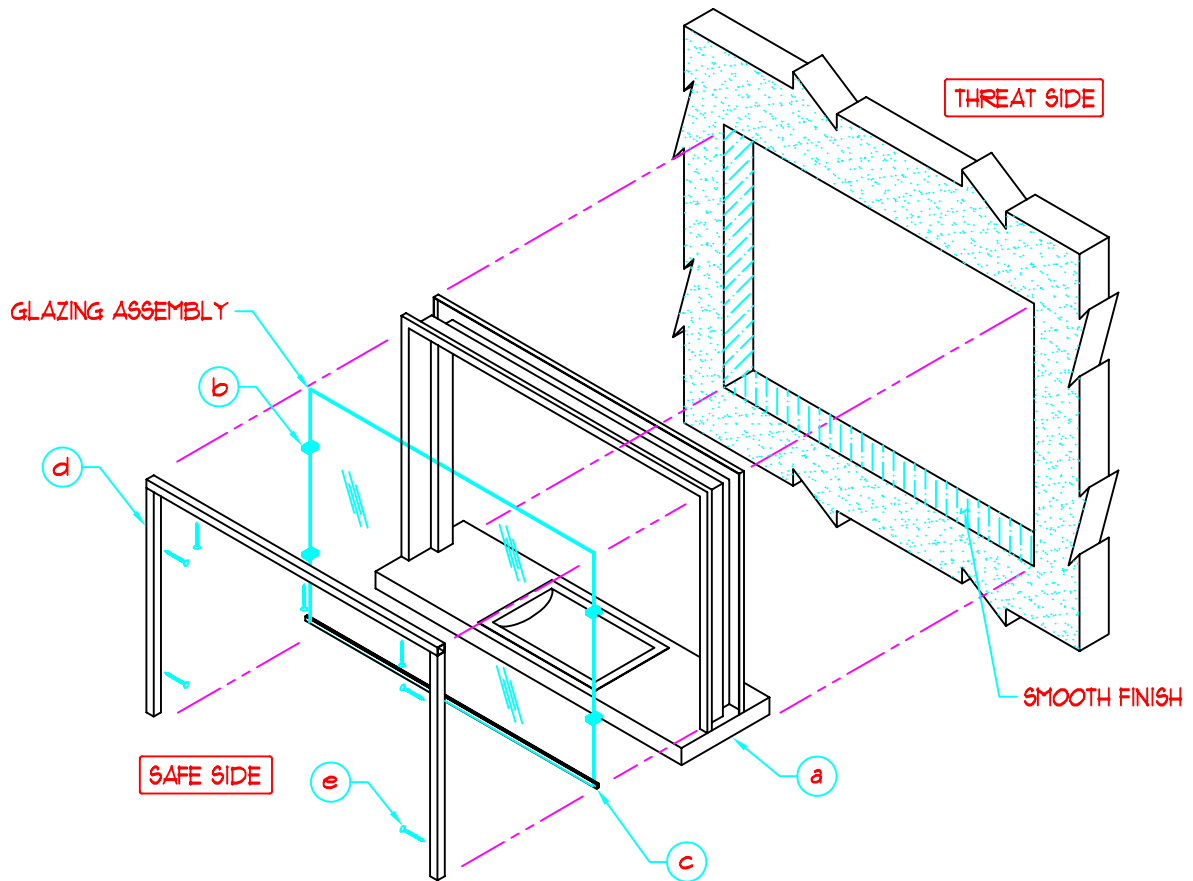


INSTALLATION PROCEDURES

- ① PROVIDE A FINISHED OPENING IN THE WALL WITH SUFFICIENT CLEARANCE TO ACCEPT THE TRANSACTION WINDOW
- ② INSTALL TRANSACTION WINDOW UNIT "a" INTO OPENING AND ANCHOR IT ONTO PLACE
- ③ INSTALL NATURAL VOICE SPACER "b" AND BOTTOM GLAZING CAP "c" INTO GLAZING
- ④ CAREFULLY SLIDE GLAZING ASSEMBLY INTO FRAME
- ⑤ INSTALL REMOVABLE STOP "d" AND SCREW "e" INTO FRAME.



THREE SIDED HOLLOW METAL TRANSACTION WINDOW INSTALLATION  
(NATURAL VOICE)

C:\2MASTERS\ARMORTEX\INSTALL\INST9502.DWG 04/29/08 @ 15:02 User: Imclaughlin

REVISIONS			ARMORTEX <sup>®</sup> BULLET / BLAST RESISTANT PRODUCTS		BALLISTIC LEVEL	
No.	DESCRIPTION	DATE	5926 CORRIDOR PKWY SCHERTZ, TX 78154		DRN.BY:	DATE:
			TEL: 210-661-8306 800-880-8306 FAX: 210-661-8308		A. Perez	03-14-03
			TITLE:		CHKD.BY:	DATE:
			ARMORTEX • BULLET RESISTANT TRANSACTION WINDOW INSTALLATION			
			UNLESS OTHERWISE SPECIFIED ALL DIMENSIONS ARE IN INCHES		DRAWING No.	SHEET
			SCALE	PROJECT No.	INST9502	1 OF 1
			NONE			