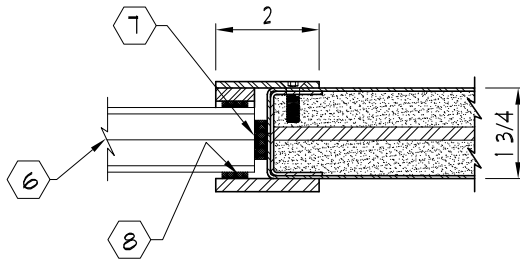
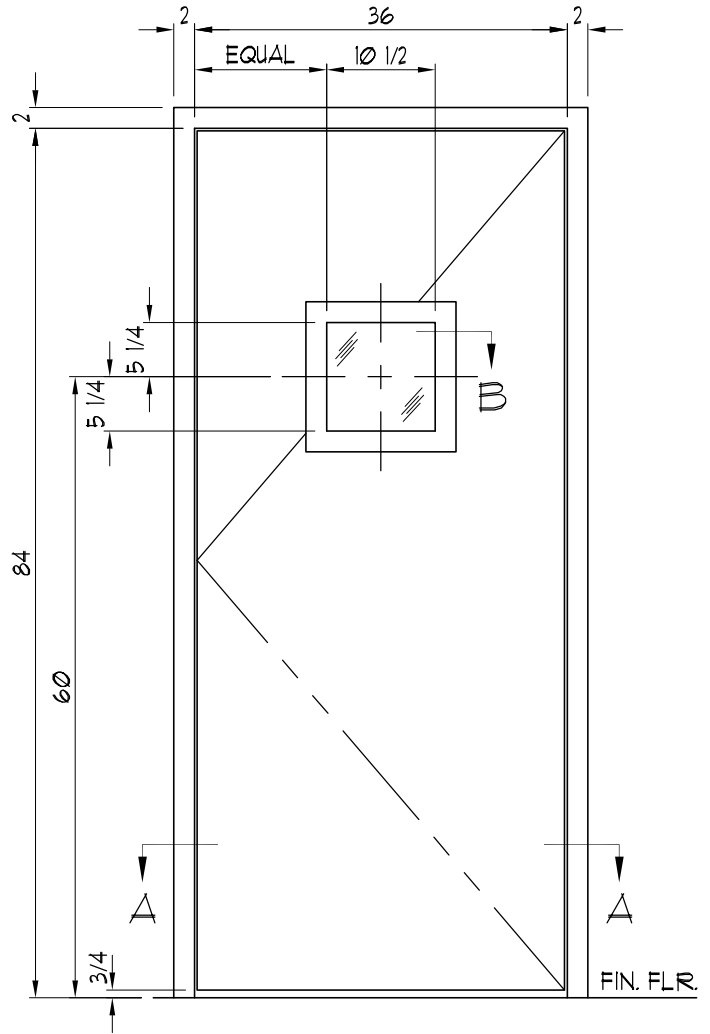


NOTES:

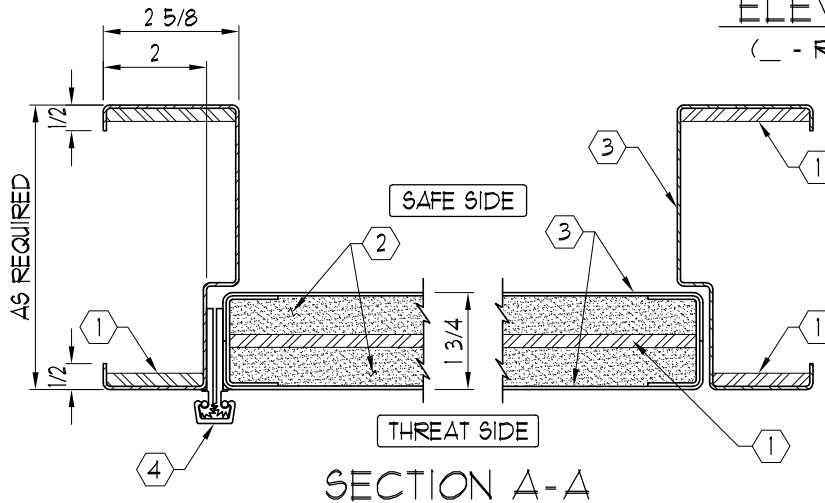
- ① ARMORTEX® HI-HARD BALLISTIC STEEL
- ② FOAMED-IN-PLACE URETHANE INSULATION
- ③ 16 GA. PRIMED STEEL DOOR AND FRAME
- ④ CONTINUOUS GEAR HINGE
- ⑤ HARDWARE AS SPECIFIED (BY OTHERS) (UNLESS NOTED)
- ⑥ UL LISTED LEVEL 4 ARMORTEX® BULLET RESISTANT GLAZING GCP 400
- ⑦ NEOPRENE SETTING BLOCK
- ⑧ TREMCO-440 GLAZING TAPE



SECTION B



VL  
ELEVATION  
( \_ - REQUIRED)



SECTION A-A

C:\ARMORTEX MASTERS - 2007\DOORS\1012029.DWG.DWG 02/15/07 @ 11:54 User: aperez

REVISIONS			ARMORTEX® BULLET / BLAST RESISTANT PRODUCTS		BALLISTIC LEVEL	
No.	DESCRIPTION	DATE	5926 CORRIDOR PKWY SCHERTZ, TX 78154		DRN.BY:	DATE:
			TEL: 210-661-8306 800-880-8306 FAX: 210-661-8308		A. Perez	02-16-07
			TITLE: ARMORTEX® BULLET RESISTANT HIGH POWER RIFLE VL 3684 HOLLOW METAL DOOR AND FRAME	PROJECT NAME:	CHKD.BY:	DATE:
			UNLESS OTHERWISE SPECIFIED ALL DIMENSIONS ARE IN INCHES	SCALE: NONE	PROJECT No.:	DRAWING No. SHEET
					D1012029	1 OF 1