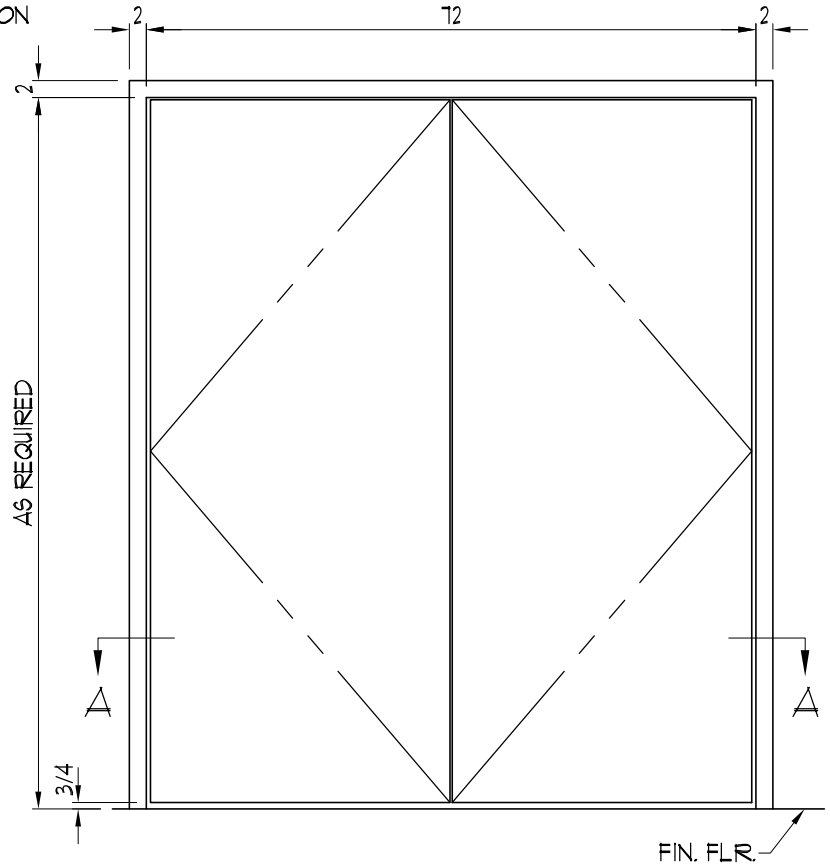
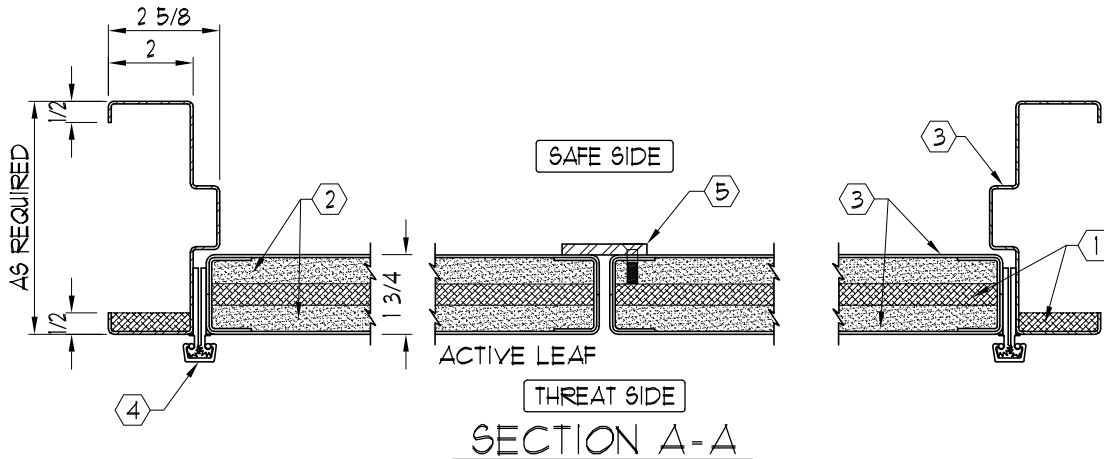


NOTES:

- ① UL LISTED ARMORTEX® BULLET RESISTANT COMPOSITES
- ② FOAMED-IN-PLACE URETHANE INSULATION
- ③ 16 GA. PRIMED STEEL FRAME
- ④ CONTINUOUS GEAR HINGE
- ⑤ ASTRAGAL (OPTIONAL)
- ⑥ HARDWARE AS SPECIFIED (BY OTHERS) (UNLESS NOTED)



ELEVATION  
( \_ - REQUIRED)



SECTION A-A

C:\ARMORTEX MASTERS - 2007\DOORS\D1012022.DWG.DWG 02/15/07 @ 11:35 User: operez

| REVISIONS  |             |      | <b>ARMORTEX®</b> BULLET / BLAST RESISTANT PRODUCTS<br>5926 CORRIDOR PKWY SCHERTZ, TX 78154<br>TEL: 210-661-8306 800-880-8306 FAX: 210-661-8308 |             | BALLISTIC LEVEL |       |
|--|-------------|------|--|-------------|-----------------|-------|
| No.  | DESCRIPTION | DATE |  |             | DRN.BY:         | DATE: |
|  |             |      | A. Perez   | 02-16-07    |                 |       |
|  |             |      | CHKD.BY:   | DATE:       |                 |       |
| TITLE:<br>ARMORTEX® BULLET RESISTANT DOUBLE HOLLOW METAL DOOR AND FRAME<br>UNLESS OTHERWISE SPECIFIED ALL DIMENSIONS ARE IN INCHES |             |      | PROJECT NAME:  | DRAWING No. | SHEET           |       |
|  |             |      | SCALE<br>NONE  | PROJECT No. | D1012022 1 OF 1 |       |