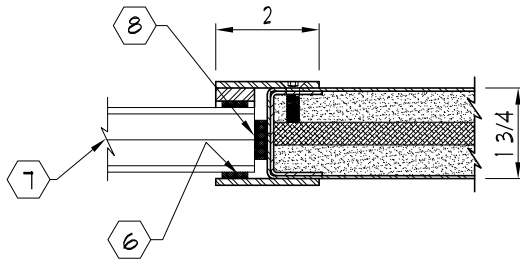
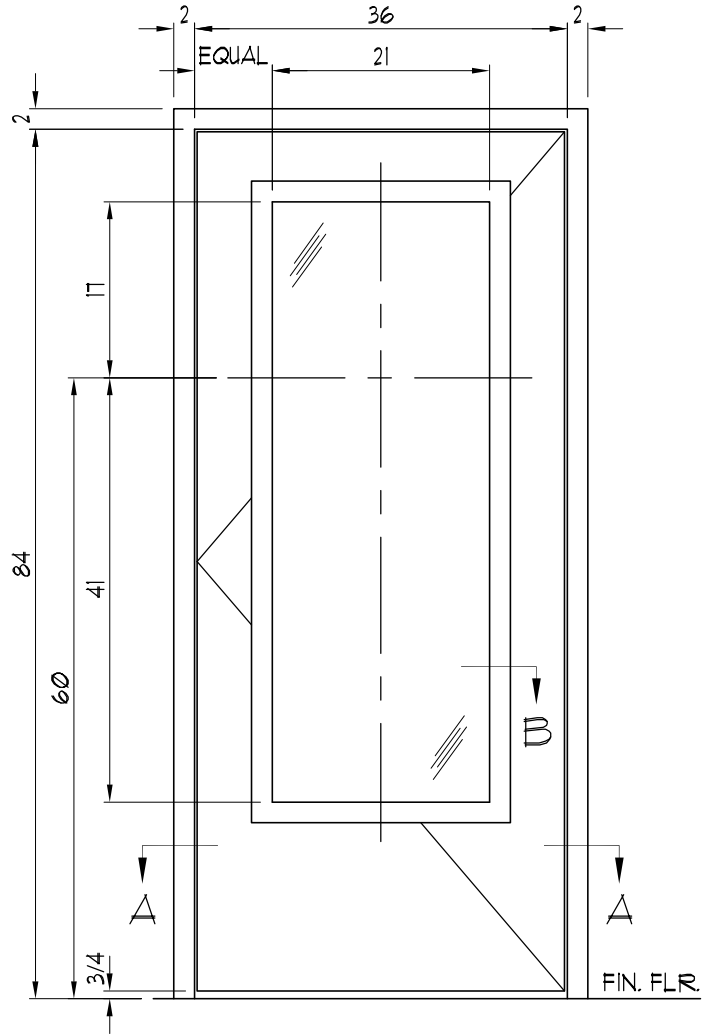


NOTES:

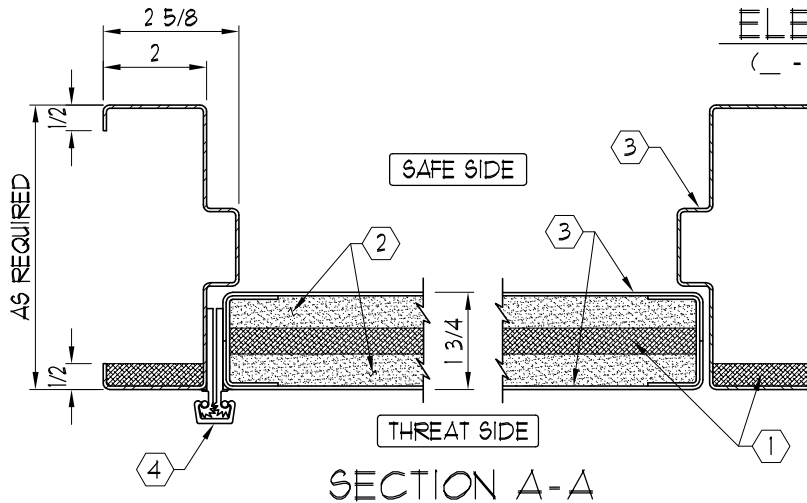
- ① UL LISTED ARMORTEX® BULLET RESISTANT COMPOSITES
- ② FOAMED-IN-PLACE URETHANE INSULATION
- ③ 16 GA. PRIMED STEEL DOOR AND FRAME
- ④ CONTINUOUS GEAR HINGE
- ⑤ HARDWARE AS SPECIFIED (BY OTHERS) (UNLESS NOTED)
- ⑥ TREMCO-440 GLAZING TAPE
- ⑦ UL LISTED BULLET RESISTANT GLAZING
- ⑧ NEOPRENE SETTING BLOCK



SECTION B



FL
ELEVATION
(_ - REQUIRED)



SECTION A-A

C:\ARMORTEX MASTERS - 2007\DOORS\D1012021.DWG.DWG 02/15/07 @ 11:32 User: aperez

REVISIONS		
No.	DESCRIPTION	DATE

ARMORTEX® BULLET / BLAST RESISTANT PRODUCTS
 5926 CORRIDOR PKWY SCHERTZ, TX 78154
 TEL: 210-661-8306 800-880-8306 FAX: 210-661-8308

TITLE: ARMORTEX® BULLET RESISTANT FL 3684 HOLLOW METAL DOOR AND FRAME
 UNLESS OTHERWISE SPECIFIED ALL DIMENSIONS ARE IN INCHES

PROJECT NAME: _____
 SCALE: NONE PROJECT No. _____

BALLISTIC LEVEL	
DRN. BY:	DATE:
A. Perez	02-16-07
CHKD. BY:	DATE:
DRAWING No.	SHEET
D1012021	1 OF 1