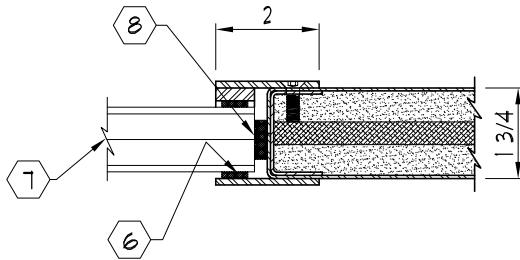
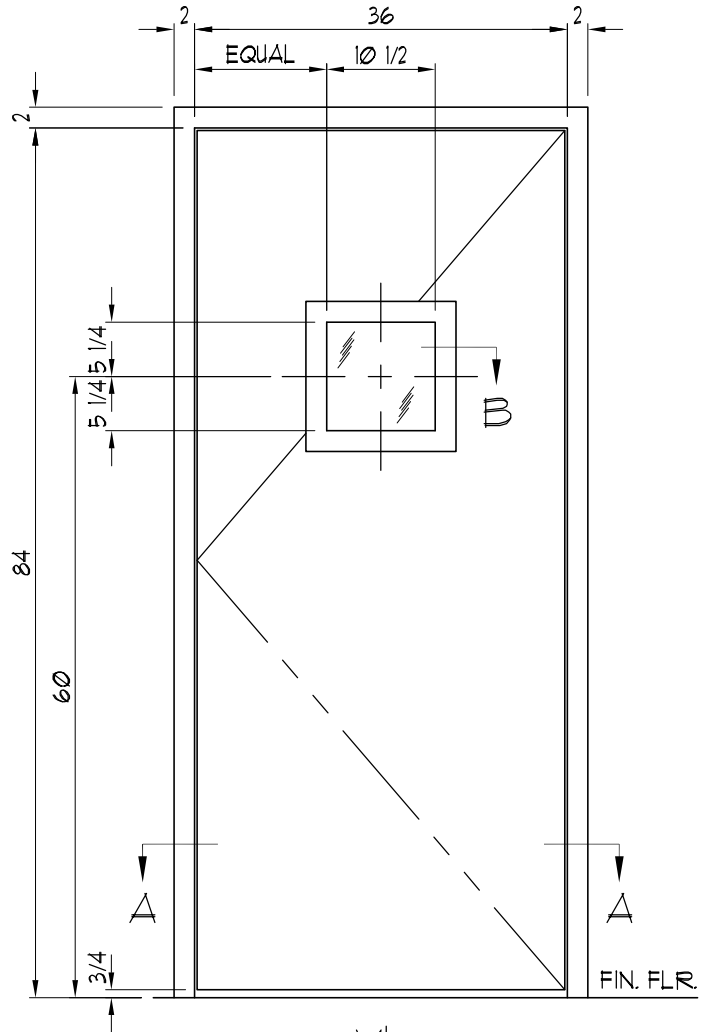
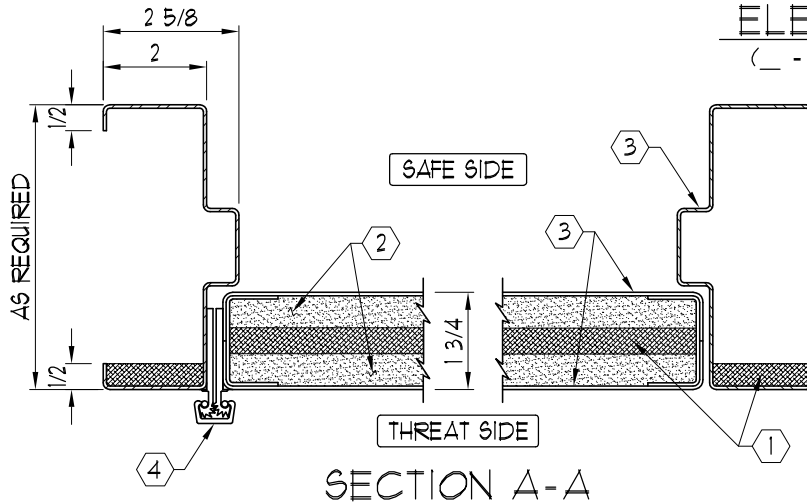


NOTES:

- ① UL LISTED ARMORTEX® BULLET RESISTANT COMPOSITES
- ② FOAMED-IN-PLACE URETHANE INSULATION
- ③ 16 GA. PRIMED STEEL DOOR AND FRAME
- ④ CONTINUOUS GEAR HINGE
- ⑤ HARDWARE AS SPECIFIED (BY OTHERS) (UNLESS NOTED)
- ⑥ TREMCO-440 GLAZING TAPE
- ⑦ UL LISTED BULLET RESISTANT GLAZING
- ⑧ NEOPRENE SETTING BLOCK



SECTION B



C:\ARMORTEX\_MASTERS - 2007\DOORS\D1012017.DWG.DWG 02/15/07 @ 11:03 User: aperez

REVISIONS		
No.	DESCRIPTION	DATE

**ARMORTEX®** BULLET / BLAST RESISTANT PRODUCTS  
 5926 CORRIDOR PKWY SCHERTZ, TX 78154  
 TEL: 210-661-8306 800-880-8306 FAX: 210-661-8308

TITLE: ARMORTEX® BULLET RESISTANT VL 3684 HOLLOW METAL DOOR AND FRAME  
 UNLESS OTHERWISE SPECIFIED ALL DIMENSIONS ARE IN INCHES

PROJECT NAME: \_\_\_\_\_  
 SCALE: NONE PROJECT No. \_\_\_\_\_

BALLISTIC LEVEL	
DRN.BY: A. Perez	DATE: 02-16-07
CHKD.BY:	DATE:
DRAWING No. D1012017	SHEET 1 OF 1