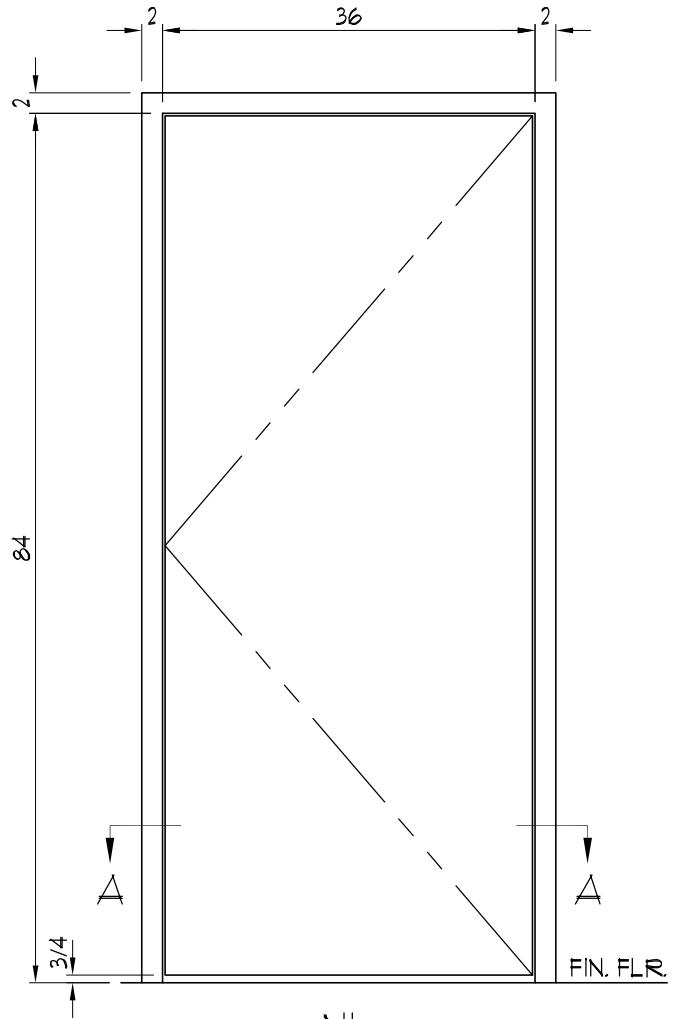
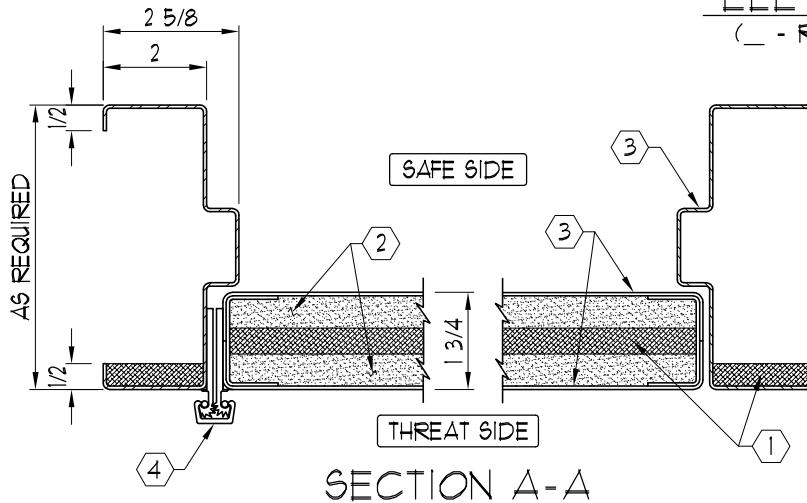


NOTES:

- ① UL LISTED ARMORTEX® BULLET RESISTANT COMPOSITES
- ② FOAMED-IN-PLACE URETHANE INSULATION
- ③ 16 GA. PRIMED STEEL DOOR AND FRAME
- ④ CONTINUOUS GEAR HINGE
- ⑤ HARDWARE AS SPECIFIED (BY OTHERS) (UNLESS NOTED)



NL
ELEVATION
(_ - REQUIRED)



SECTION A-A

C:\ARMORTEX MASTERS - 2007\DOORS\1012016.DWG.DWG 02/15/07 @ 11:01 User: operez

REVISIONS		
No.	DESCRIPTION	DATE

ARMORTEX® BULLET / BLAST RESISTANT PRODUCTS
 5926 CORRIDOR PKWY SCHERTZ, TX 78154
 TEL: 210-661-8306 800-880-8306 FAX: 210-661-8308

TITLE: ARMORTEX® BULLET RESISTANT NL 3684 HOLLOW METAL DOOR AND FRAME
 UNLESS OTHERWISE SPECIFIED ALL DIMENSIONS ARE IN INCHES

PROJECT NAME: _____
 SCALE: NONE PROJECT No. _____

BALLISTIC LEVEL	
DRN.BY: A. Perez	DATE: 02-16-07
CHKD.BY:	DATE:
DRAWING No. D1012016	SHEET 1 OF 1