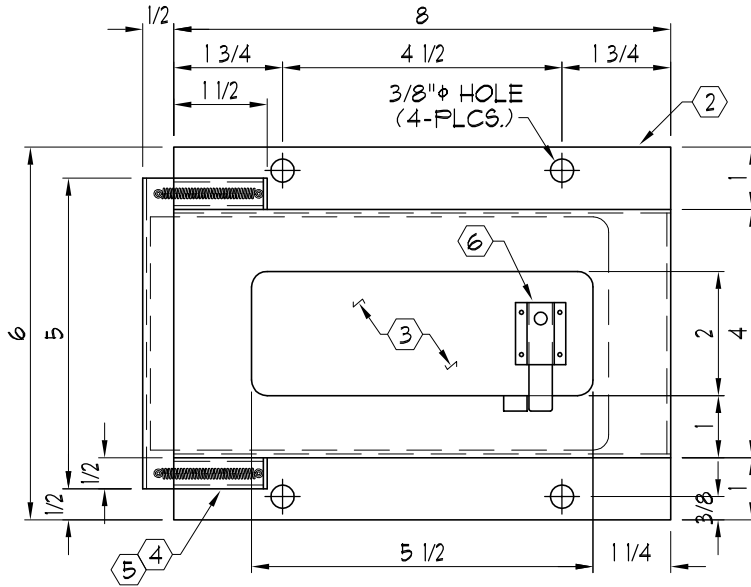
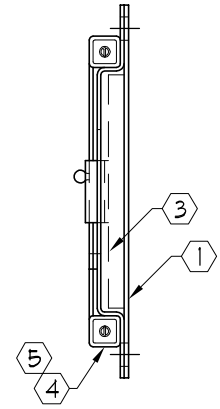


NOTES:

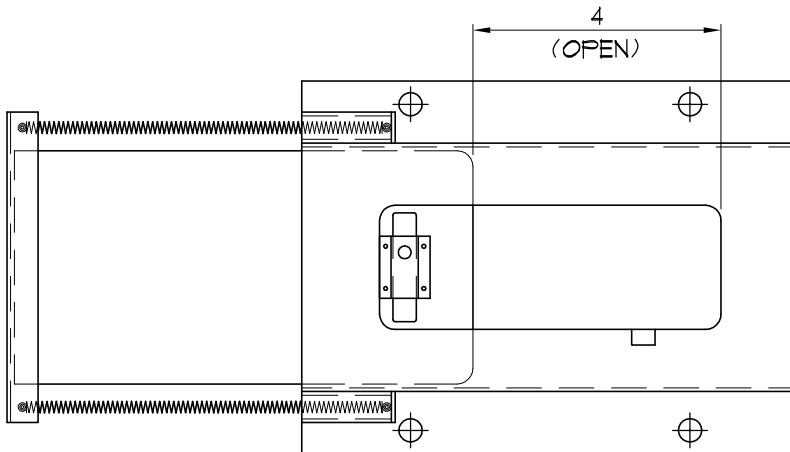
- ① 14 GA. PRIME PAINTED STEEL BASE
- ② 16 GA. PRIME PAINTED STEEL CASING
- ③ BALLISTIC STEEL OR COMPOSITES
- ④ 1/2" x 12" SQUARE TUBES
- ⑤ SPRINGS
- ⑥ LATCH



FRONT VIEW
(GUNPORT IN CLOSED POSITION)



SIDE VIEW



FRONT VIEW
(GUNPORT IN OPEN POSITION)

(_ - REQUIRED)

C:\ARMORTEX MASTERS - 2007\GUNPORT\G1018002.DWG 02/20/07 @ 09:48 User: operez

REVISIONS			ARMORTEX ® BULLET / BLAST RESISTANT PRODUCTS 5926 CORRIDOR PKWY SCHERTZ, TX 78154 TEL: 210-661-8306 800-880-8306 FAX: 210-661-8308		BALLISTIC LEVEL	
No.	DESCRIPTION	DATE			DRN.BY:	DATE:
			A. Perez	02-16-07		
			CHKD.BY:	DATE:		
			DRAWING No.	SHEET		
			G1018002	1 OF 1		
TITLE: ARMORTEX® BULLET RESISTANT SLIDING GUNPORT			PROJECT NAME:	SCALE: NONE	PROJECT No.:	
UNLESS OTHERWISE SPECIFIED ALL DIMENSIONS ARE IN INCHES						