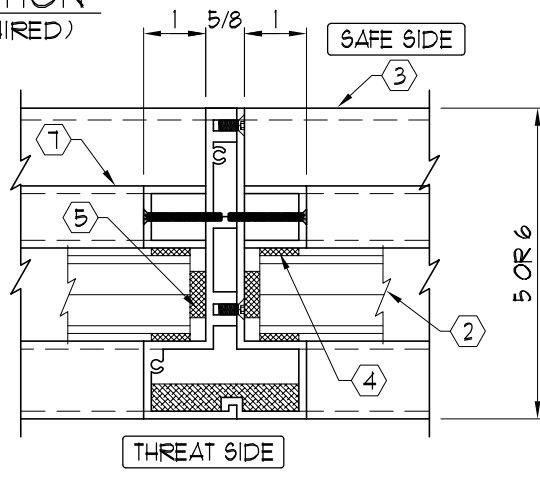
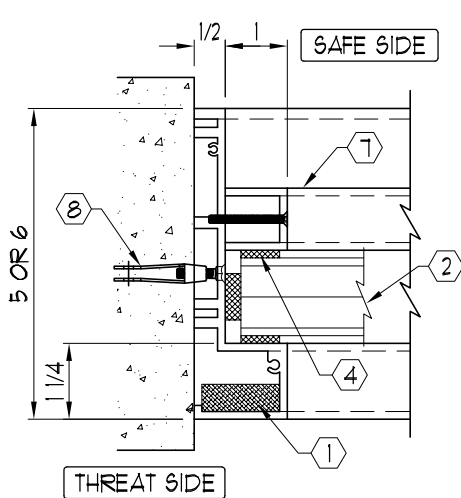
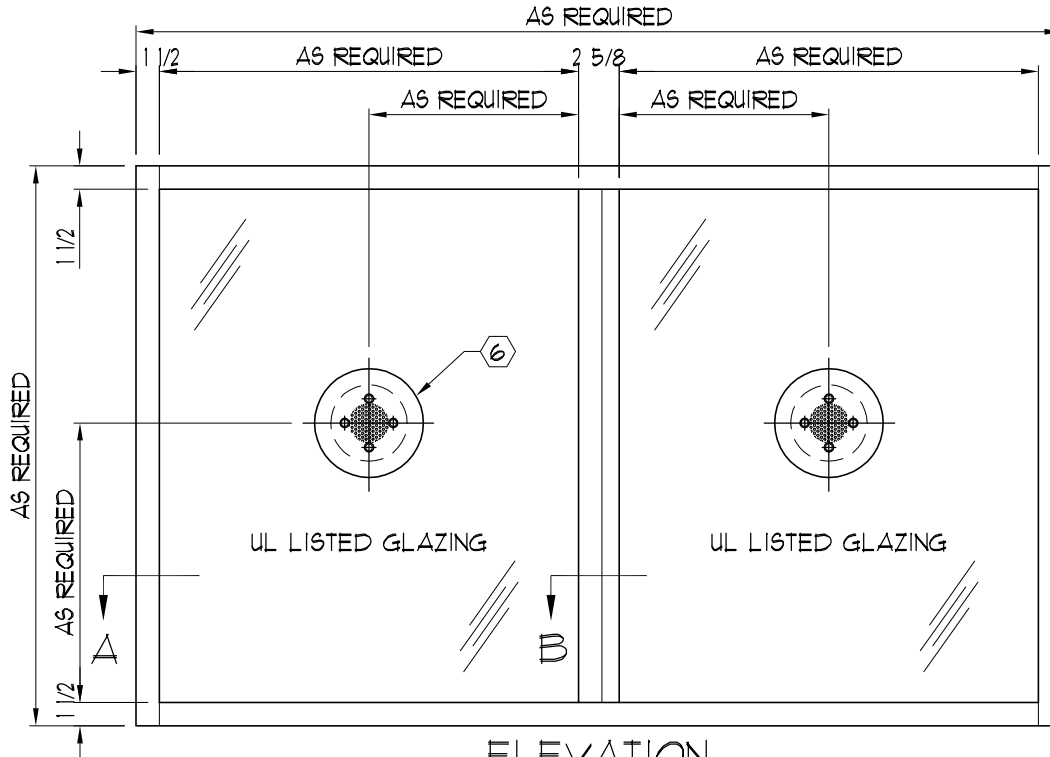


NOTES:

- ① UL LISTED ARMORTEX® BULLET RESISTANT COMPOSITES
- ② UL LISTED ARMORTEX® BULLET RESISTANT GLAZING
- ③ EXTRUDED ALUMINUM FRAME (CLEAR ANODIZED)
- ④ TREMCO-440 GLAZING TAPE
- ⑤ NEOPRENE SETTING BLOCKS
- ⑥ SPEAKER MODEL 98BR3-1
- ⑦ REMOVABLE STOP 1" x 1"
- ⑧ ANCHORS AS REQUIRED (BY OTHERS)

Ⓢ ALL ALUMINUM TO BE CLEAR ANODIZED
 Ⓢ ALL TYPES OF BULLET RESISTANT GLAZING AVAILABLE IN MOST PROTECTION LEVELS
 Ⓢ FRAMES AVAILABLE IN LEVELS 1, 2, 3 & 4



C:\ARMORTEX MASTERS - 2007\WINDOWS\ALUMINUM\W1011555.DWG 02/14/07 @ 11:37 User: operez

REVISIONS			ARMORTEX® BULLET / BLAST RESISTANT PRODUCTS		BALLISTIC LEVEL	
No.	DESCRIPTION	DATE	5926 CORRIDOR PKWY SCHERTZ, TX 78154		DRN.BY:	DATE:
			TEL: 210-661-8306 800-880-8306 FAX: 210-661-8308		A. Perez	02-16-07
			TITLE: ARMORTEX® BULLET RESISTANT ALUMINUM FIXED WINDOW SSAFW WITH SPEAKER		PROJECT NAME:	
			UNLESS OTHERWISE SPECIFIED ALL DIMENSIONS ARE IN INCHES		SCALE NONE	PROJECT No.
					DRAWING No. W1011555	SHEET 1 OF 1