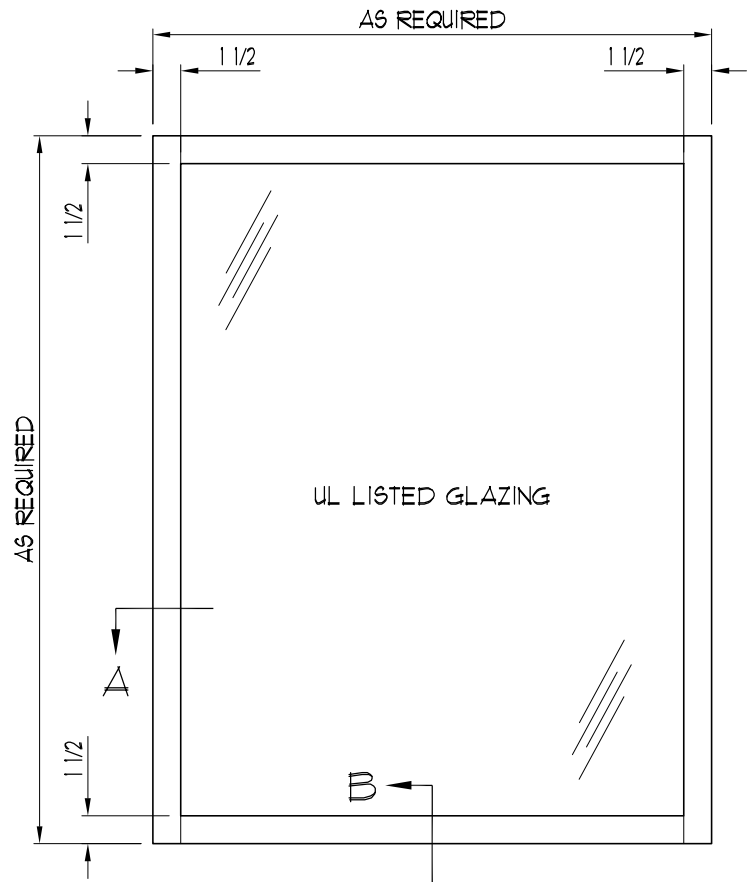


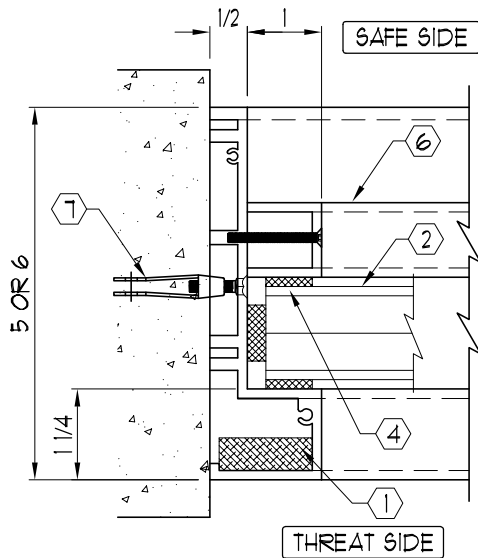
NOTES:

- ① UL LISTED ARMORTEX® BULLET RESISTANT COMPOSITES
- ② UL LISTED ARMORTEX® BULLET RESISTANT GLAZING
- ③ EXTRUDED ALUMINUM FRAME (CLEAR ANODIZED)
- ④ TREMCO-440 GLAZING TAPE
- ⑤ NEOPRENE SETTING BLOCKS
- ⑥ REMOVABLE STOP 1" x 1"
- ⑦ ANCHORS AS REQUIRED (BY OTHERS)

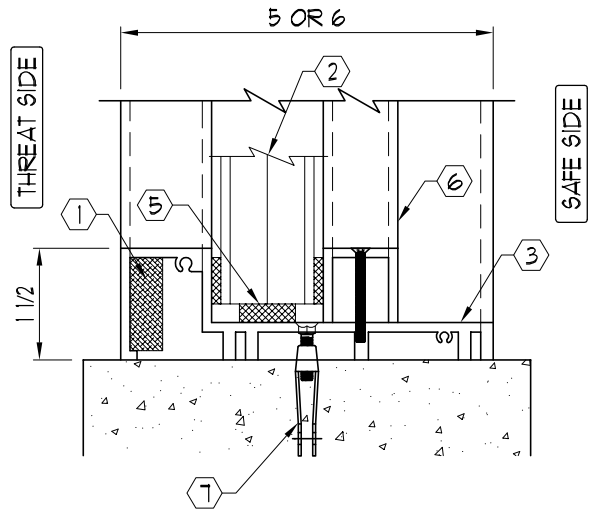
Ⓢ ALL ALUMINUM TO BE CLEAR ANODIZED  
 Ⓢ ALL TYPES OF BULLET RESISTANT GLAZING AVAILABLE IN MOST PROTECTION LEVELS  
 Ⓢ FRAMES AVAILABLE IN LEVELS 1, 2, 3 & 4



ELEVATION  
 ( \_ - REQUIRED)



SECTION A



SECTION B

C:\ARMORTEX MASTERS - 2007\WINDOWS\ALUMINUM\W1011552.DWG 02/14/07 @ 11:30 User: operez

REVISIONS		
No.	DESCRIPTION	DATE

**ARMORTEX®** BULLET / BLAST RESISTANT PRODUCTS  
 5926 CORRIDOR PKWY SCHERTZ, TX 78154  
 TEL: 210-661-8306 800-880-8306 FAX: 210-661-8308

TITLE: ARMORTEX® BULLET RESISTANT ALUMINUM FIXED WINDOW SSAFW  
 UNLESS OTHERWISE SPECIFIED ALL DIMENSIONS ARE IN INCHES

PROJECT NAME: \_\_\_\_\_  
 SCALE: NONE PROJECT No. \_\_\_\_\_

BALLISTIC LEVEL	
DRN.BY: A. Perez	DATE: 02-16-07
CHKD.BY:	DATE:
DRAWING No. W1011552	SHEET 1 OF 1