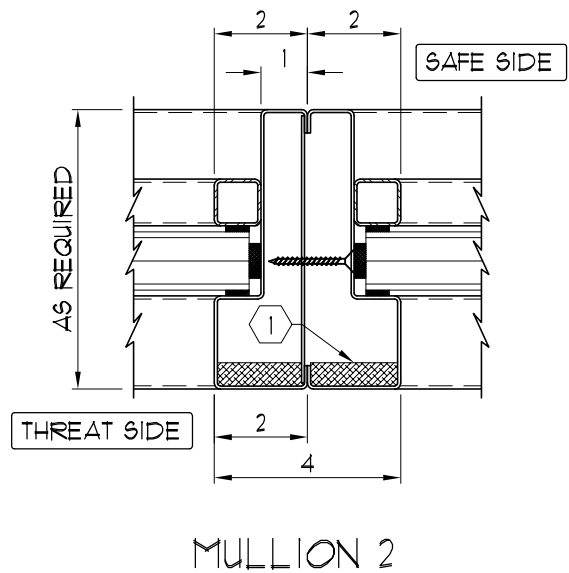
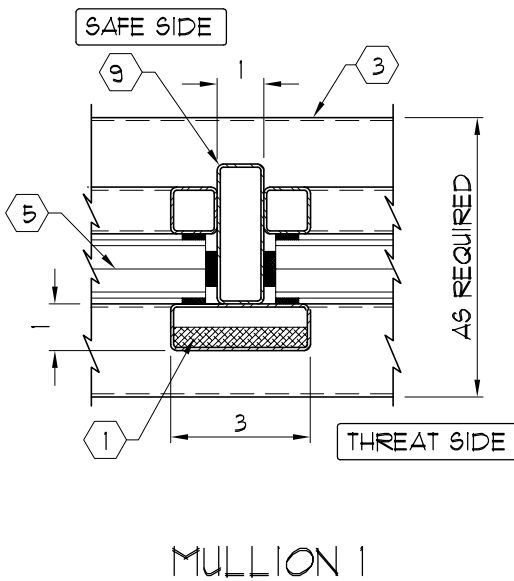
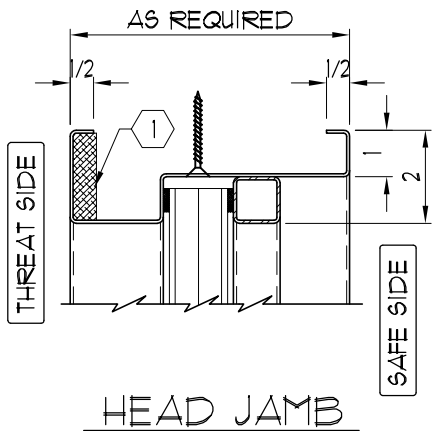
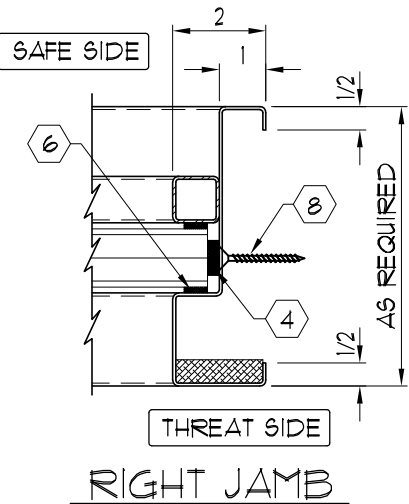
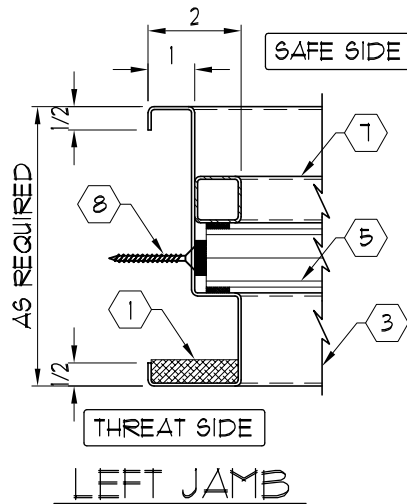


NOTES:

- ① UL LISTED ARMORTEX® BULLET RESISTANT COMPOSITES
- ② FLUSH WELD ALL CORNERS BY MECHANICAL MEANS
- ③ 16 GA. PRIME PAINTED STEEL FRAME (STAINLESS STEEL OPTIONAL)
- ④ NEOPRENE SETTING BLOCKS (TYP. AT 4 SIDES)
- ⑤ BULLET RESISTANT GLAZING
- ⑥ TREMCO-440 GLAZING TAPE
- ⑦ REMOVABLE STOP 1" x 1"
- ⑧ ANCHOR HOLES AS REQUIRED ANCHORS AS REQUIRED. (BT OTHERS)
- ⑨ 1" x 3" RECTANGULAR TUBE



C:\ARMORTEX MASTERS - 2007\WINDOWS\W1011074.DWG.DWG 02/14/07 @ 09:58 User: aperez

| REVISIONS | | |
|-----------|-------------|------|
| No. | DESCRIPTION | DATE |
| | | |
| | | |
| | | |

ARMORTEX® BULLET / BLAST RESISTANT PRODUCTS
 5926 CORRIDOR PKWY SCHERTZ, TX 78154
 TEL: 210-661-8306 800-880-8306 FAX: 210-661-8308

TITLE: ARMORTEX® BULLET RESISTANT FIXED WINDOW SECTIONS
 UNLESS OTHERWISE SPECIFIED ALL DIMENSIONS ARE IN INCHES

PROJECT NAME: _____
 SCALE: NONE PROJECT No. _____

| BALLISTIC LEVEL | |
|-------------------------|-------------------|
| DRN.BY: A. Perez | DATE: 02-16-07 |
| CHKD.BY: | DATE: |
| DRAWING No. W1011074 | SHEET 1 OF 1 |