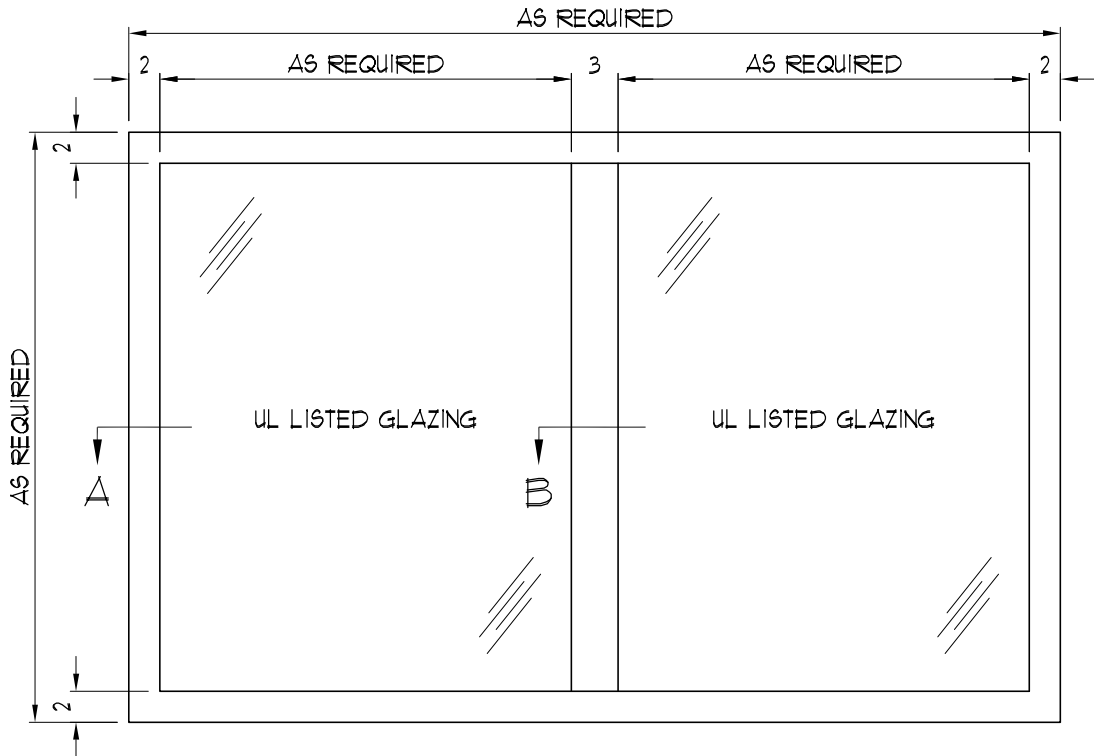
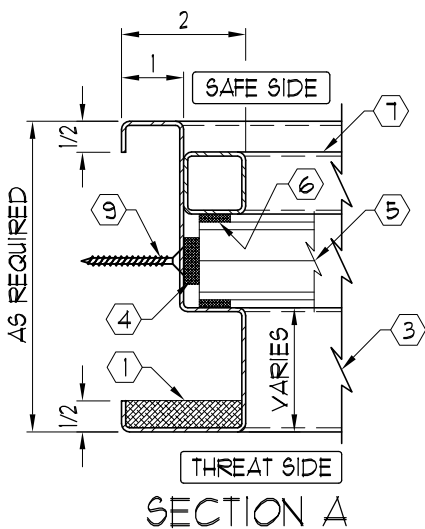


NOTES:

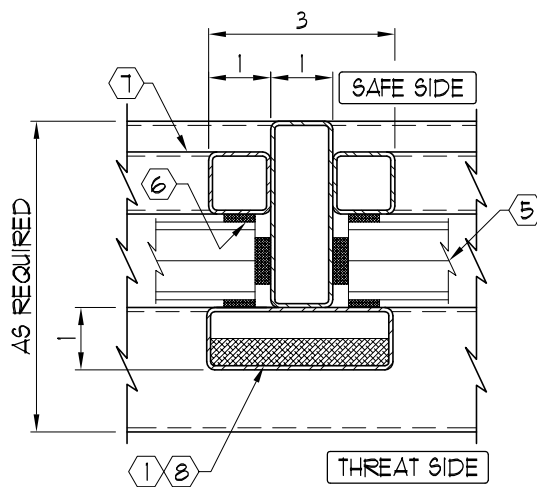
- ① UL LISTED ARMORTEX® BULLET RESISTANT COMPOSITES
- ② FLUSH WELD ALL CORNERS BY MECHANICAL MEANS
- ③ 16 GA. PRIME PAINTED STEEL FRAME (STAINLESS STEEL OPTIONAL)
- ④ NEOPRENE SETTING BLOCK
- ⑤ UL LISTED ARMORTEX® BULLET RESISTANT GLAZING
- ⑥ TREMCO-440 GLAZING TAPE
- ⑦ REMOVABLE STOP 1" x 1"
- ⑧ 3" x 1" RECTANGULAR TUBE MULLION
- ⑨ ANCHORS AS REQUIRED (BY OTHERS)



ELEVATION
(_ - REQUIRED)



SECTION A



SECTION B

C:\ARMORTEX MASTERS - 2007\WINDOWS\W1011058.DWG 02/14/07 @ 09:51 User: operez

| REVISIONS | | | ARMORTEX® BULLET / BLAST RESISTANT PRODUCTS | | BALLISTIC LEVEL | | |
|-----------|-------------|------|--|---------------|-----------------|-------------|--------|
| No. | DESCRIPTION | DATE | 5926 CORRIDOR PKWY SCHERTZ, TX 78154 | | DRN.BY: | DATE: | |
| | | | TEL: 210-661-8306 800-880-8306 FAX: 210-661-8308 | | A. Perez | 02-16-07 | |
| | | | TITLE: | PROJECT NAME: | CHKD.BY: | DATE: | |
| | | | ARMORTEX® BULLET RESISTANT FIXED WINDOW WITH MULLION | | | | |
| | | | UNLESS OTHERWISE SPECIFIED ALL DIMENSIONS ARE IN INCHES | SCALE | PROJECT No. | DRAWING No. | SHEET |
| | | | | NONE | | W1011058 | 1 OF 1 |