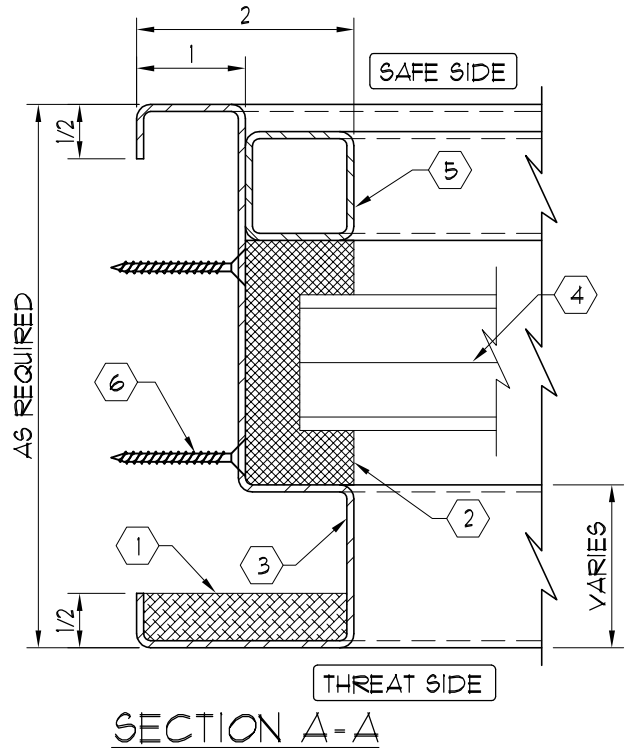
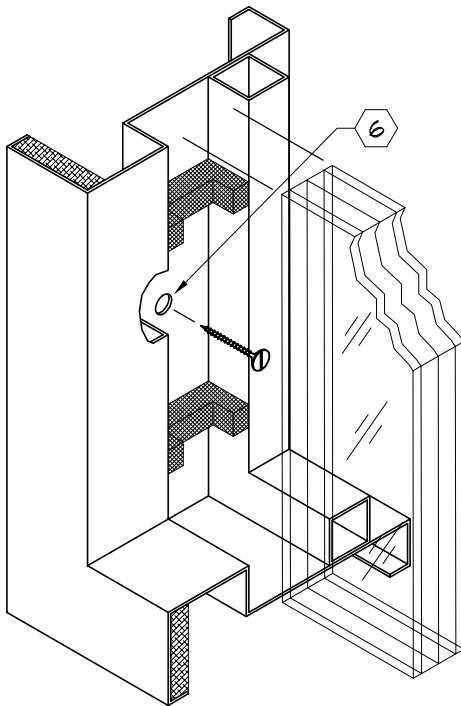
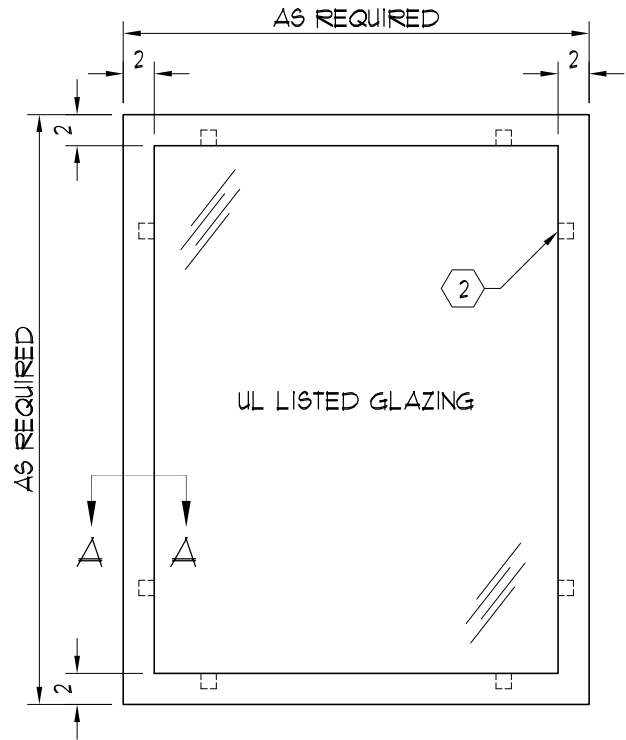


NOTES:

- ① UL LISTED ARMORTEX® BULLET RESISTANT COMPOSITES
- ② NATURAL VOICE SPACERS
- ③ 16 GA. PRIME PAINTED STEEL FRAME (STAINLESS STEEL OPTIONAL)
- ④ UL LISTED ARMORTEX® BULLET RESISTANT GLAZING
- ⑤ REMOVABLE STOP 1" x 1"
- ⑥ ANCHOR HOLES AS REQUIRED (ANCHORS, BY OTHERS)



THIS VIEW FOR CLARITY ONLY

SECTION A-A

C:\ARMORTEX MASTERS - 2007\WINDOWS\W1011054.DWG.DWG 02/14/07 @ 09:45 User: aperez

REVISIONS			ARMORTEX® BULLET / BLAST RESISTANT PRODUCTS 5926 CORRIDOR PKWY SCHERTZ, TX 78154 TEL: 210-661-8306 800-880-8306 FAX: 210-661-8308		BALLISTIC LEVEL	
No.	DESCRIPTION	DATE			DRN.BY:	DATE:
			A. Perez	02-16-07		
			CHKD.BY:	DATE:		
MODEL S3FW-54			TITLE:	PROJECT NAME:	DRAWING No.	SHEET
UNLESS OTHERWISE SPECIFIED ALL DIMENSIONS ARE IN INCHES			SCALE	PROJECT No.	W1011054	1 OF 1
			NONE			