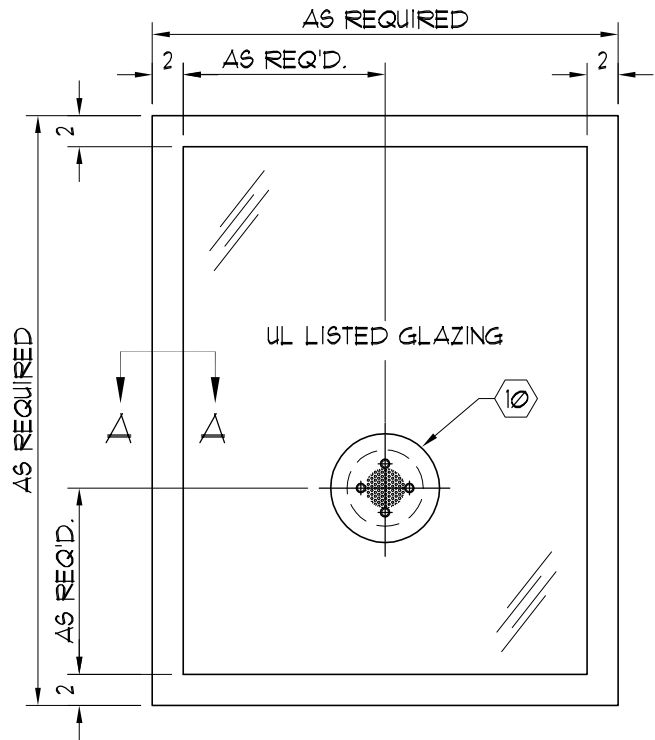
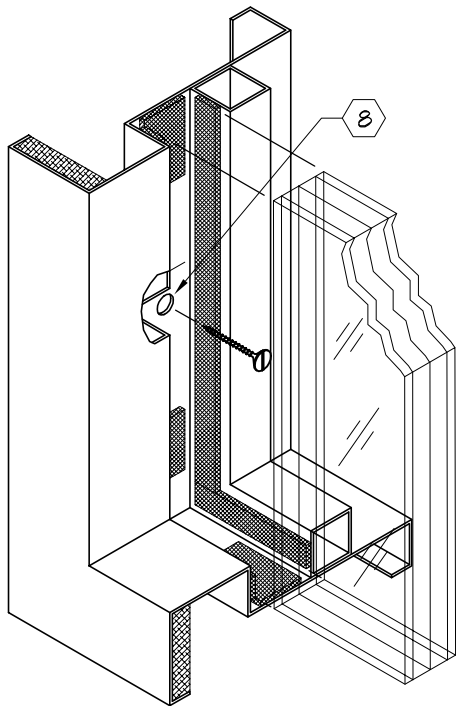


NOTES:

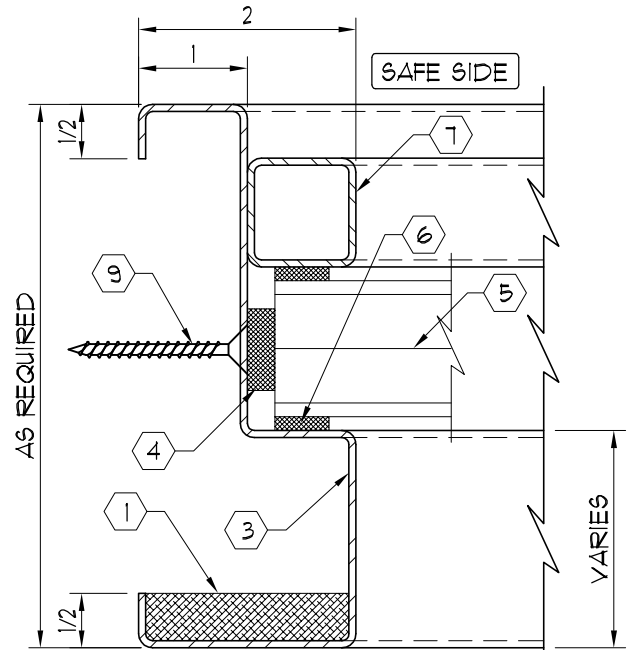
- ① UL LISTED ARMORTEX® BULLET RESISTANT COMPOSITES
- ② FLUSH WELD ALL CORNERS BY MECHANICAL MEANS
- ③ 16 GA. PRIME PAINTED STEEL FRAME (STAINLESS STEEL OPTIONAL)
- ④ NEOPRENE SETTING BLOCKS (TYP. AT 4 SIDES)
- ⑤ UL LISTED ARMORTEX® BULLET RESISTANT GLAZING
- ⑥ TREMCO-440 GLAZING TAPE
- ⑦ REMOVABLE STOP 1" x 1"
- ⑧ ANCHOR HOLES AS REQUIRED
- ⑨ ANCHORS AS REQUIRED (BY OTHERS)
- ⑩ SPEAKER (MODEL SSBR5-7)



ELEVATION
(_ - REQUIRED)



THIS VIEW FOR CLARITY ONLY



SECTION A-A

C:\ARMORTEX MASTERS - 2007\WINDOWS\W1011051.DWG.DWG 02/14/07 @ 08:45 User: aperez

REVISIONS			ARMORTEX® BULLET / BLAST RESISTANT PRODUCTS		BALLISTIC LEVEL	
No.	DESCRIPTION	DATE	5926 CORRIDOR PKWY SCHERTZ, TX 78154		DRN. BY:	DATE:
			TEL: 210-661-8306 800-880-8306 FAX: 210-661-8308		A. Perez	02-16-07
TITLE:			PROJECT NAME:		CHKD. BY:	DATE:
MODEL SSFW-51			ARMORTEX® BULLET RESISTANT FIXED WINDOW SSFW			
UNLESS OTHERWISE SPECIFIED ALL DIMENSIONS ARE IN INCHES			SCALE	PROJECT No.	DRAWING No.	SHEET
			NONE		W1011051	1 OF 1