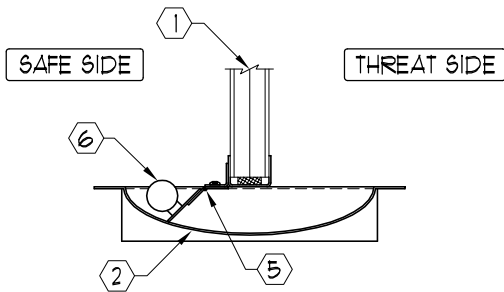
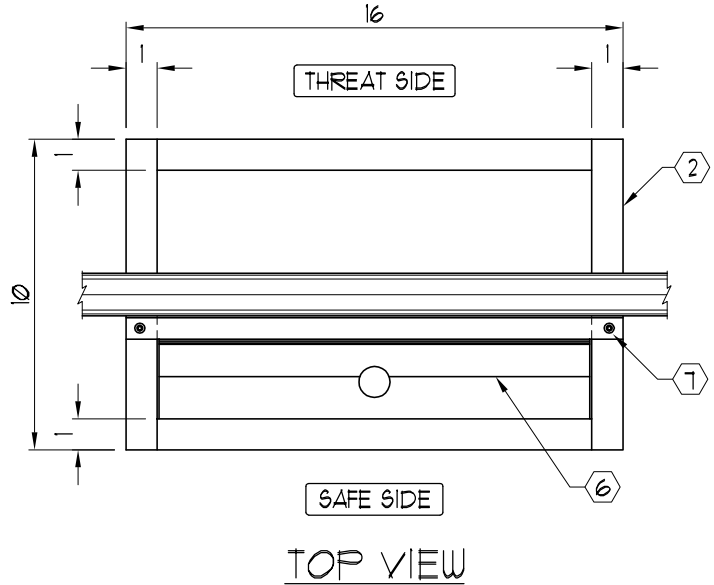
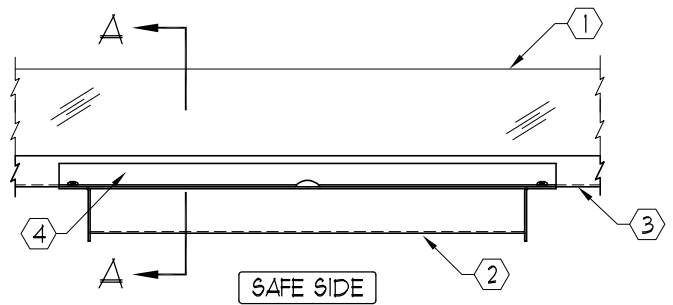


NOTES:

- ① UL LISTED ARMORTEX® BULLET RESISTANT GLAZING
- ② 16 GA. STAINLESS STEEL DIP TRAY
- ③ STAINLESS STEEL CAP
- ④ STAINLESS STEEL FLANGE
- ⑤ STAINLESS STEEL HINGE
- ⑥ WEATHER FLAP AND KNOB
- ⑦ SCREENS (BY OTHERS)



SECTION A-A



FRONT VIEW  
( - REQUIRED)

C:\ARMORTEX MASTERS - 2007\DIPTRAY NO COUNTER\T1015008.DWG 02/19/07 @ 11:39 User: aperez

REVISIONS			<b>ARMORTEX®</b> BULLET / BLAST RESISTANT PRODUCTS 5926 CORRIDOR PKWY SCHERTZ, TX 78154 TEL: 210-661-8306 800-880-8306 FAX: 210-661-8308		DRN.BY:	DATE:
No.	DESCRIPTION	DATE			A. Perez	02-16-07
			TITLE:	PROJECT NAME:	CHKD.BY:	DATE:
			ARMORTEX® DIP TRAY WITH WEATHER FLAP MODEL RMDT-1016			
			UNLESS OTHERWISE SPECIFIED ALL DIMENSIONS ARE IN INCHES	SCALE: NONE	PROJECT No.:	DRAWING No.:
					T1015008	SHEET: 1 OF 1