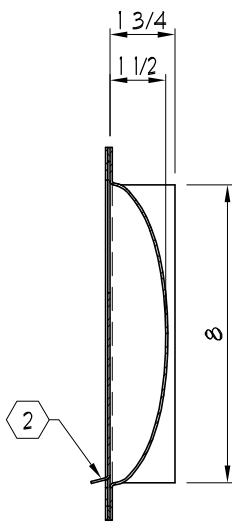
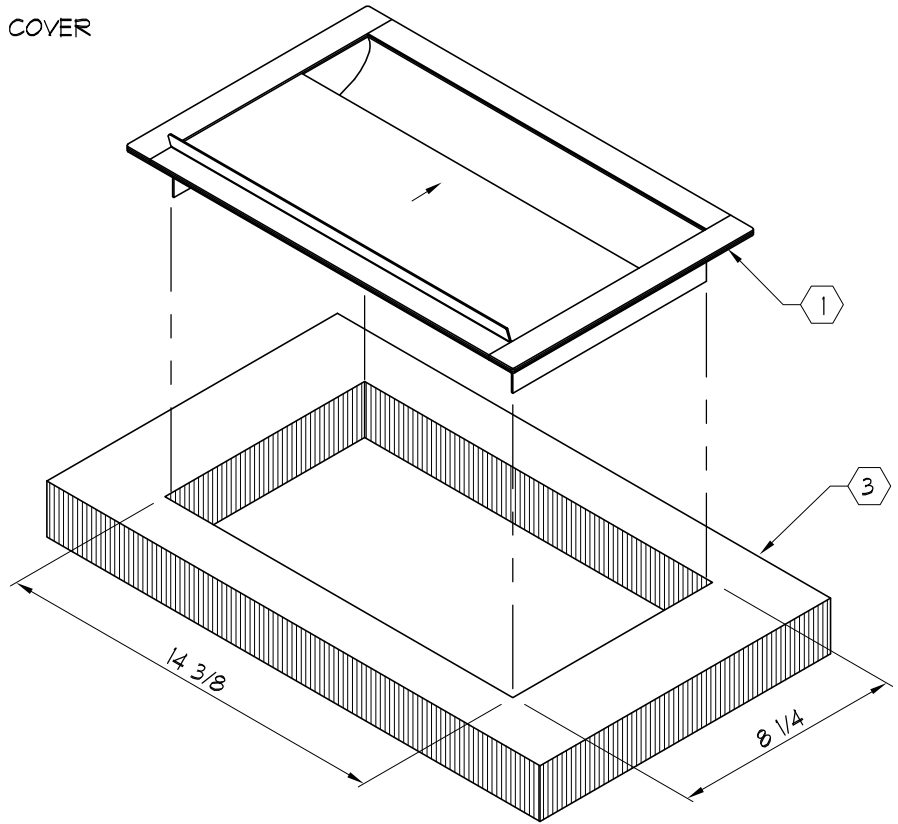
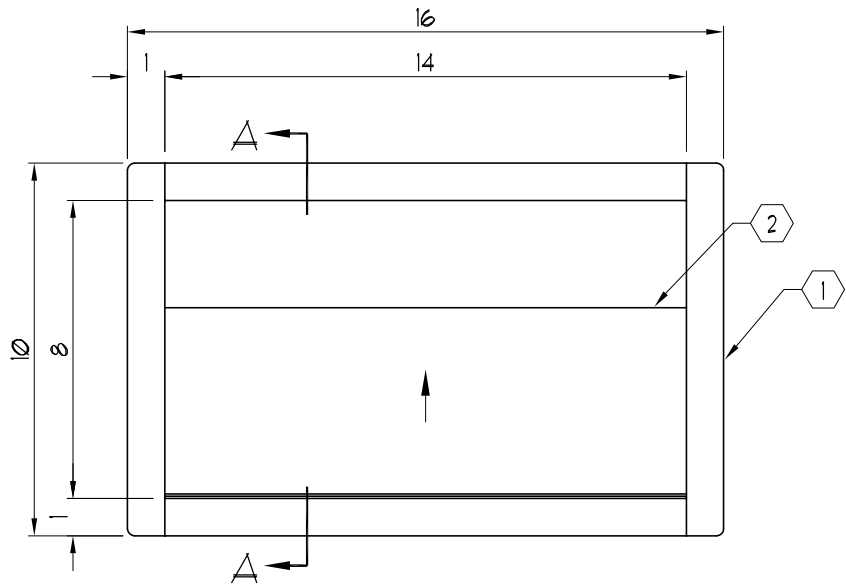


NOTES:

- ① 16 GA. STAINLESS STEEL DIP TRAY WITH # 3 SATIN BRUSHED FINISH
- ② 16 GA. STAINLESS STEEL SLIDING COVER WITH # 3 SATIN BRUSHED FINISH
- ③ COUNTER TOP (AS REQUIRED)



SECTION A-A



TOP VIEW
(_ - REQUIRED)

C:\ARMORTEX MASTERS - 2007\DIPTRAY NO COUNTER\T1015007.DWG.DWG 02/19/07 @ 11:31 User: aperez

REVISIONS			ARMORTEX ® BULLET / BLAST RESISTANT PRODUCTS 5926 CORRIDOR PKWY SCHERTZ, TX 78154 TEL: 210-661-8306 800-880-8306 FAX: 210-661-8308		DRN.BY:	
No.	DESCRIPTION	DATE			A. Perez	
			TITLE:	PROJECT NAME:	CHKD.BY:	DATE:
			ARMORTEX® DIP TRAY WITH SLIDING COVER MODEL RMDT-1016			
			UNLESS OTHERWISE SPECIFIED ALL DIMENSIONS ARE IN INCHES	SCALE: NONE	PROJECT No.:	DRAWING No.:
						T1015007
						SHEET
						1 OF 1