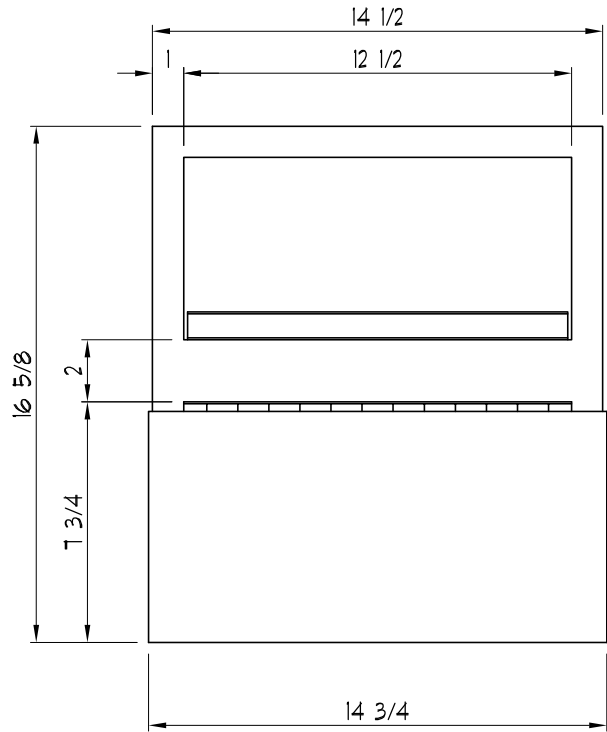
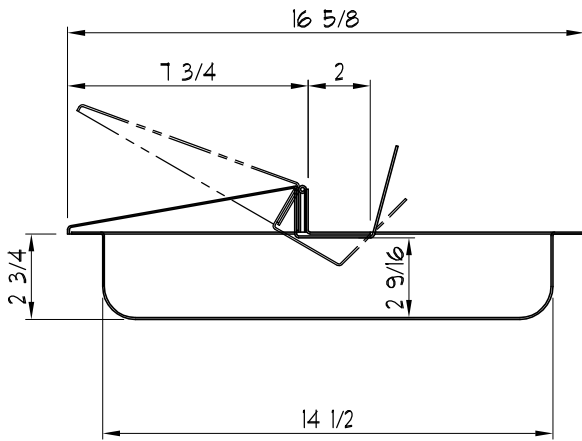


NOTES:

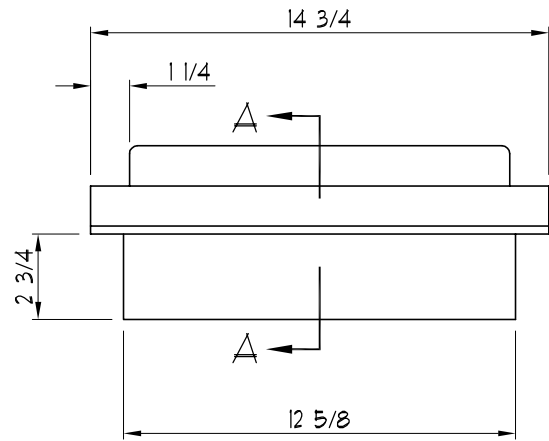
- ① 16 GA. STAINLESS STEEL DIP TRAY WITH # 3 SATIN BRUSHED FINISH
- ② COUNTER TOP (BY OTHERS)



PLAN VIEW  
( \_ - REQUIRED)



SECTION A-A



FRONT VIEW

C:\ARMORTEX MASTERS - 2007\DIPTRAY NO COUNTER\T1015006.DWG 02/19/07 @ 11:27 User: aperez

REVISIONS			<b>ARMORTEX</b> ® BULLET / BLAST RESISTANT PRODUCTS 5926 CORRIDOR PKWY SCHERTZ, TX 78154 TEL: 210-661-8306 800-880-8306 FAX: 210-661-8308		DRN. BY: A. Perez		DATE: 02-16-07	
No.	DESCRIPTION	DATE			CHKD. BY:	DATE:		
			TITLE: ARMORTEX® DIP TRAY FLIP LID MODEL RMDT-1416		PROJECT NAME:		DRAWING No. T1015006	
			UNLESS OTHERWISE SPECIFIED ALL DIMENSIONS ARE IN INCHES		SCALE: NONE	PROJECT No. _____		SHEET: 1 OF 1