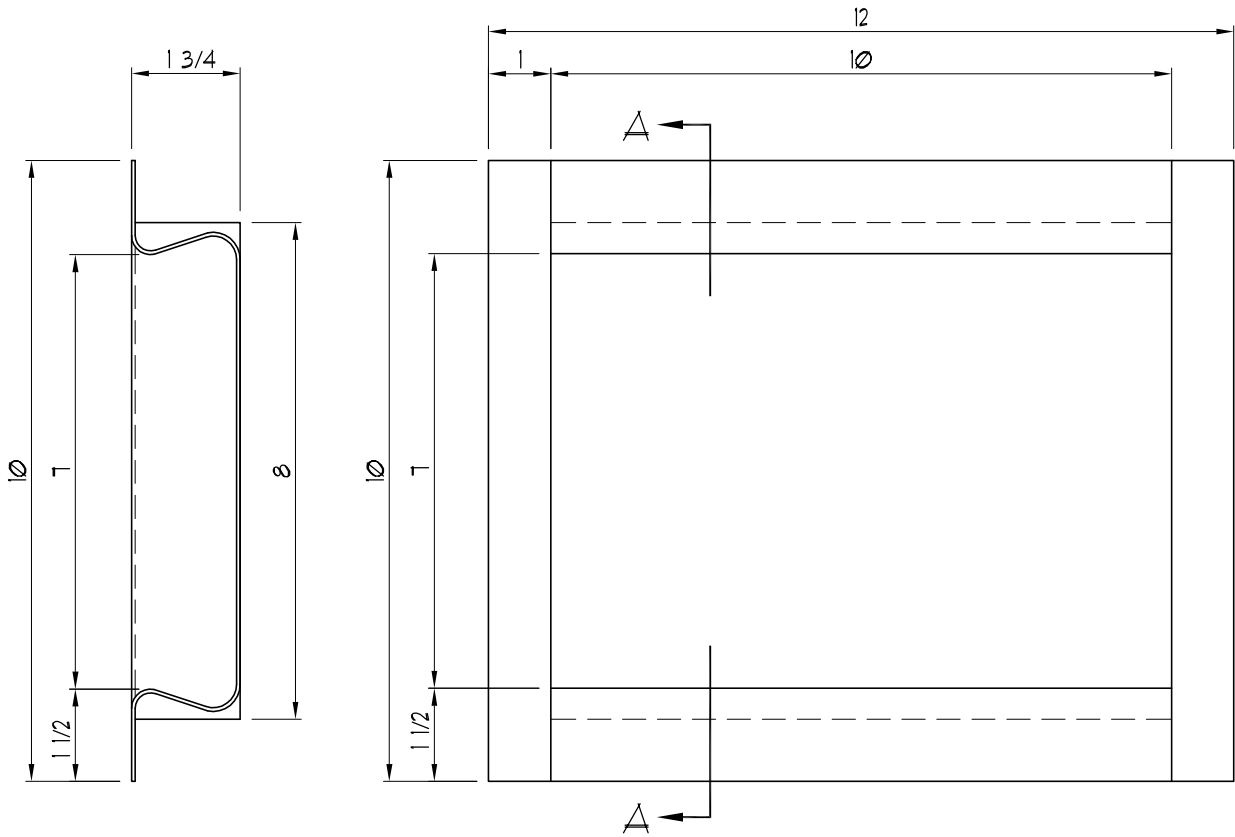
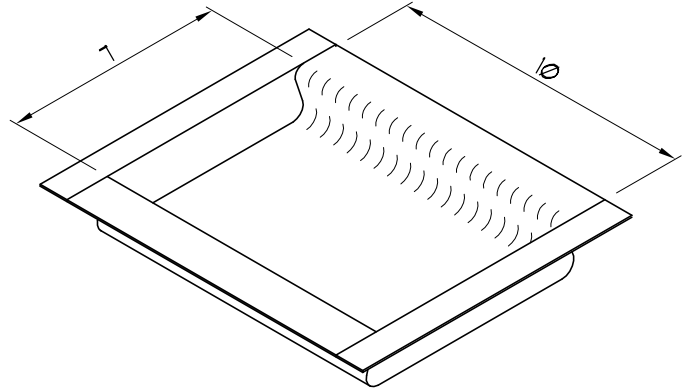


NOTE:

① 16 GA. STAINLESS STEEL DIP TRAY WITH # 3 SATIN BRUSHED FINISH



SECTION A-A

TOP VIEW  
( \_ - REQUIRED)

C:\ARMORTEX MASTERS - 2007\DIPTRAY NO COUNTER\T1015004.DWG.DWG 02/19/07 @ 11:20 User: aperez

REVISIONS			<b>ARMORTEX</b> ® BULLET / BLAST RESISTANT PRODUCTS 5926 CORRIDOR PKWY SCHERTZ, TX 78154 TEL: 210-661-8306 800-880-8306 FAX: 210-661-8308		DRN.BY: DATE:	
No.	DESCRIPTION	DATE			A. Perez 02-16-07	
TITLE:			PROJECT NAME:		CHKD.BY: DATE:	
ARMORTEX® NON-RICOCHET DIP TRAY MODEL RMDT-1012					DRAWING No. SHEET	
UNLESS OTHERWISE SPECIFIED ALL DIMENSIONS ARE IN INCHES			SCALE	PROJECT No.	T1015004 1 OF 1	
			NONE			